

**VACUUM BREAKERS
 VB21**

DESCRIPTION

The ADCA VB21 vacuum breakers are simple and reliable devices that automatically relieve or “break” an unwanted vacuum condition, restoring the atmospheric pressure.

These devices are particularly suitable for steam heated units of small and medium volume, such as heat exchangers, heating coils, calorifiers, jacketed kettles, steam boilers, etc.

USE: Saturated and superheated steam.

AVAILABLE

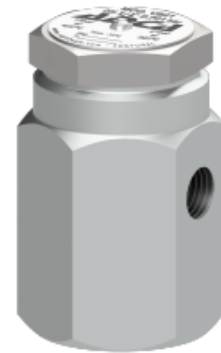
MODELS: VB21 – female threaded.
 VB21M – male threaded.

SIZES: 1/2" x 1/8".

CONNECTIONS: System: vertical connection 1/2".
 Air inlet: horizontal connection 1/8".
 VB21 – female threaded ISO 7 Rp or NPT.
 VB21M – male threaded ISO 228.

INSTALLATION: Vertical installation with angled connection.
 See IMI – Installation and maintenance instructions.

BODY LIMITING CONDITIONS: 13 bar at 400 °C; 21 bar at 220 °C.



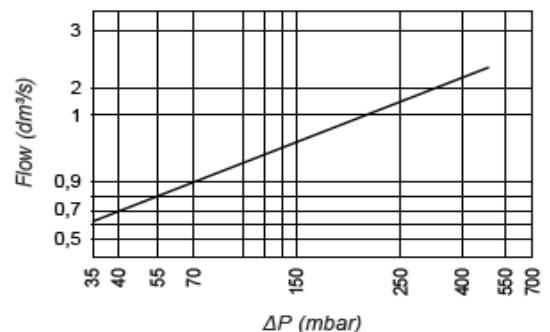
VB21



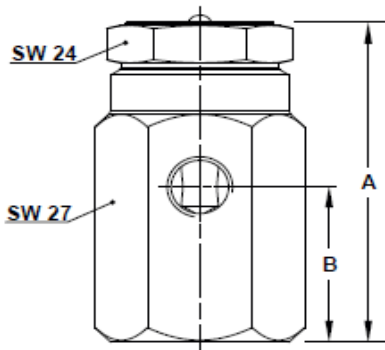
VB21M

CE MARKING – GROUP 2 (PED – European Directive)	
PS 21 bar	Category
1/2" x 1/8"	SEP

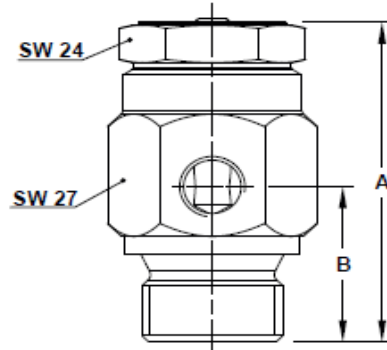
CAPACITY CHART



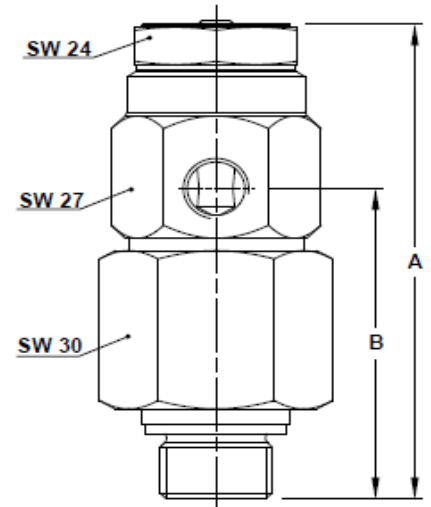
Remark: ΔP required to open vacuum breaker: 6,13 mbar.



VB21



VB21M

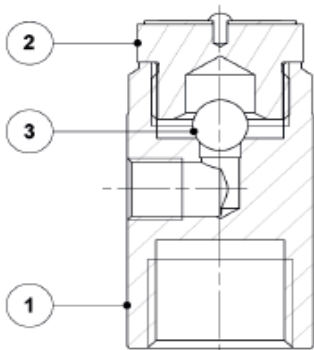


VB21M 3/8"

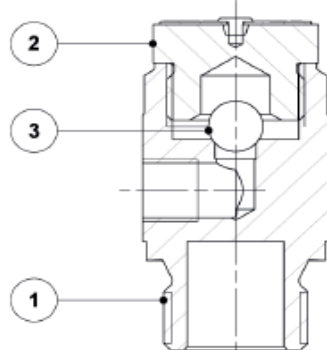
DIMENSIONS (mm)

MODEL	SIZE	A	B	WEIGHT (kg)
VB21	1/2"	51	25	0,2
VB21M	1/2"	51	25	0,2
VB21M *	3/8"	76	50	0,3

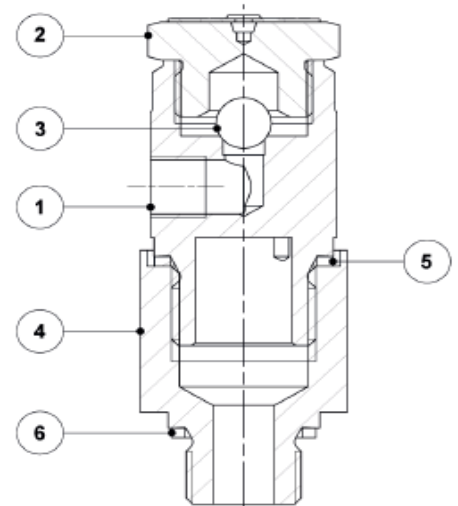
* With adapter fitting 1/2" x 3/8" ISO 228 or NPT.



VB21



VB21M



VB21M 3/8"

MATERIALS

POS. N°	DESIGNATION	MATERIAL
1	Body	AISI 303 / 1.4305
2	Cover	AISI 303 / 1.4305
3	* Ball	Stainless steel
4	Adapter fitting	AISI 303 / 1.4305
5	* Gasket	Copper
6	* Gasket	Copper

* Available spare parts.