

**BIMETALLIC STEAM TRAPS AND AIR VENTS  
 UBS20  
 (For use with universal pipeline connectors)**

**DESCRIPTION**

The UniADCA UBS20 series bimetallic steam traps and air eliminators, completely in stainless steel, are maintenance free and sealed traps. Simple and robust, they are recommended for drip service, steam tracing applications and where condensate sensible heat can be recovered. These traps fit the UCX universal connectors and CTS4U compact stations.

**MAIN FEATURES**

- Sealed, non-maintainable.
- Two-bolt swivel connector.
- Modulating discharge.
- Discharges condensate below steam temperature.
- Excellent air discharge.
- Operates on superheated steam.
- Unaffected by water-hammer and vibrations.

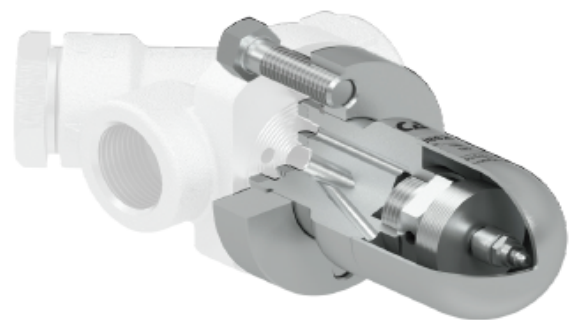
**OPTIONS:** Different operating limits.

**USE:** Saturated and superheated steam.

**AVAILABLE MODELS:** UBS20 – stainless steel.

**SIZES:** According to the selected pipeline connector.

**INSTALLATION:** In any position.  
 See IMI – Installation and maintenance instructions.



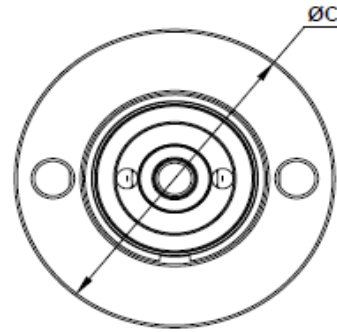
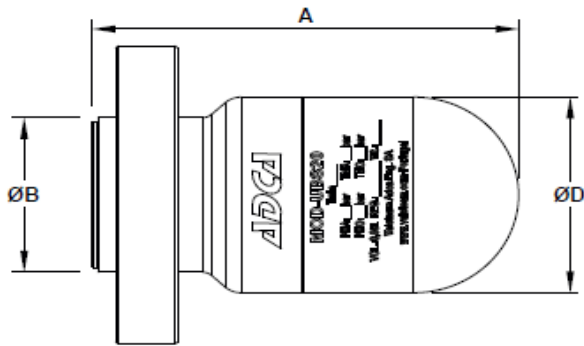
CE MARKING – GROUP 2 (PED – European Directive)	
CLASS 300	Category
All sizes	SEP

BODY LIMITING CONDITIONS *	
CLASS 300 ALLOWABLE PRESSURE	RELATED TEMPERATURE
39,9 bar	-10 / 50 °C
34,4 bar	100 °C
28,8 bar	200 °C
25,2 bar	300 °C
23,1 bar	400 °C

PMO – Maximum operating pressure: 17 bar.  
 TMO – Maximum operating temperature: 250 °C.  
 \* According to EN 1759-1:2004.  
 Remark: The pipeline connector may restrict the operating conditions to a lower rating.

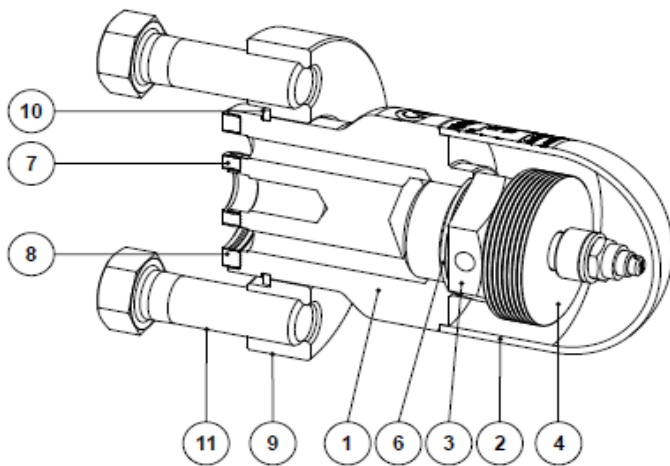
FLOW RATE CAPACITY (kg/h)										
MODEL	DIFFERENTIAL PRESSURE (bar)									
	0,5	1	2	4	6	8	10	12	14	16
UBS20 (A)	225	350	490	650	720	795	820	850	880	900
UBS20 (B)	550	800	1100	1500	1750	1825	2000	2100	2175	2235

A: Condensate discharge at 10 °C below saturation temperature; B: Cold water capacity around 20 °C.



**DIMENSIONS (mm)**

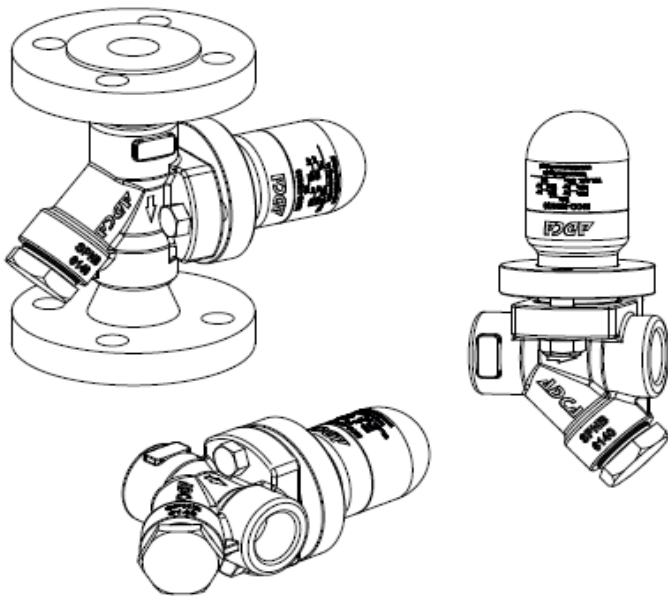
MODEL	A	ØB	ØC	ØD	WEIGHT (kg)
UBS20	89	35	67	44	1,3



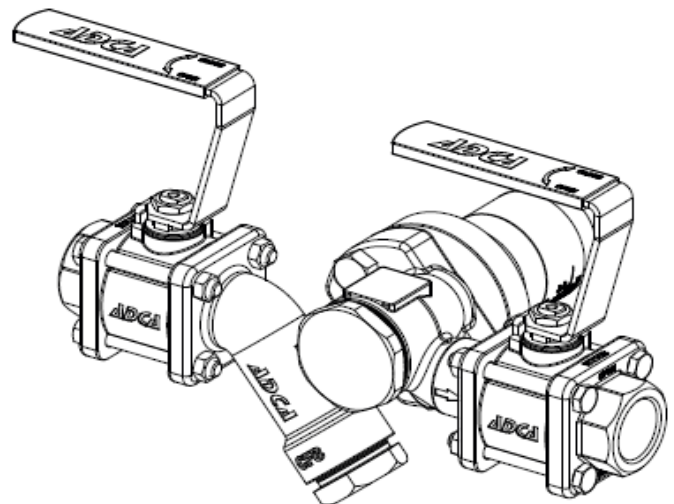
**MATERIALS**

POS. N°	DESCRIPTION	MATERIAL
1	Body	AISI 316L / 1.4404
2	Cover	AISI 316 / 1.4401
3	Valve seat	AISI 304 / 1.4301
4	Disc	Bimetal
6	Gasket	Copper
7	* Inlet gasket	Stainless steel / Graphite
8	* Outlet gasket	Stainless steel / Graphite
9	Flange	AISI 316 / 1.4401
10	Retainer ring	Steel
11	Bolt	A193 Gr. B7

\* Available spare parts.



*UBS20 steam trap connected to a UCX41 universal pipeline connector*



*UBS20 steam trap connected to a CTS4U compact trapping station*