

**GLOBE VALVES
 GV32B**

DESCRIPTION

The ADCA GV32B bronze inline stop valves are designed for use with steam, water, oil or air applications.

MAIN FEATURES

Rising stem.
 PTFE renewable plug.
 High quality PTFE steam seals.

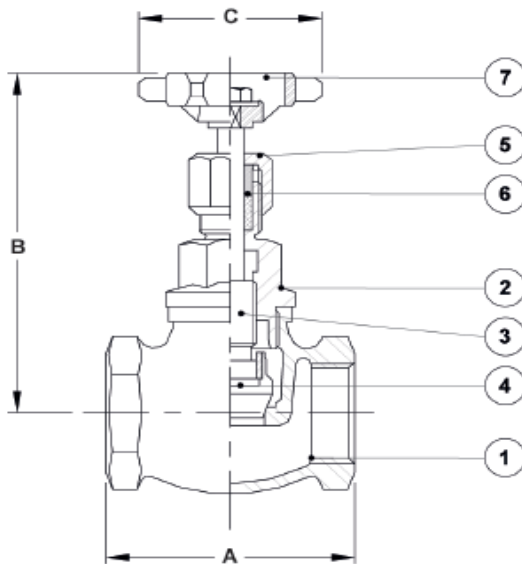
USE: Saturated steam, condensate, water, oil, compressed air and other fluids compatible with the construction.

AVAILABLE MODELS: GV32B - bronze.

SIZES: 1/2" to 2".

CONNECTIONS: Female threaded ISO 7 Rp or NPT on request.

INSTALLATION: See IMI – Installation and maintenance instructions.



MATERIALS		
POS. N°	DESIGNATION	MATERIAL
1	Body	Bronze
2	Bonnet	Brass
3	Stem	Brass
4	Plug	Glass filled PTFE
5	Gland nut	Brass
6	Packing	PTFE
7	Handwheel	Aluminium

CE MARKING – GROUP 2 (PED – European Directive)	
PN 32	Category
1/2" to 11/4"	SEP
11/2" to 2"	1 (CE marked)

BODY LIMITING CONDITIONS	
ALLOWABLE PRESSURE	RELATED TEMPERATURE
32 bar	100 °C
14 bar	198 °C

FLOW RATE COEFFICIENTS (m ³ /h)						
SIZE	1/2"	3/4"	1"	11/4"	11/2"	2"
Kvs	2	5	10	16	23	42

For conversion Kvs = Cv (US) x 0,855.

DIMENSIONS (mm)				
SIZE	A	B	C	WEIGHT (kg)
1/2"	57	95	75	0,4
3/4"	65	98	75	0,6
1"	78	114	85	0,9
11/4"	89	138	95	1,4
11/2"	100	159	105	1,8
2"	121	170	120	2,7