

AIR AND GAS FLOAT TRAPS
FA45.3
(Stainless steel ; 1 1/2" and 2" – DN 40 and DN 50)

DESCRIPTION

The ADCA FA45.3 is a series of fully automatic ball float traps specially designed for condensate drainage in compressed air and gas systems.

Typical applications include aftercoolers, separators and compressed air mains.

MAIN FEATURES

Modulating discharge.

Unaffected by sudden or wide load and pressure variations.

Flow direction can be easily changed by repositioning the body in relation to the mechanism and cover.

OPTIONS: Equalizing (vent) and drain connections.
 BDV – Blowdown valve.
 AFZ – Anti-freeze device.
 FLL – Float lifting lever.

USE: Compressed air and other non corrosive gases compatible with the construction.

AVAILABLE MODELS: FA45.3-4,5 , 10, 14, 21 and 32 – stainless steel.

SIZES: 1 1/2" and 2"; DN 40 and DN 50.

CONNECTIONS: Female threaded ISO 7 Rp or NPT.
 Flanged EN 1092-1 PN 40.
 Flanged ASME B16.5 Class 150 or 300.
 Socket weld (SW) ASME B16.11.

INSTALLATION: Horizontal or vertical installation.

ΔPMX: FA45.3-4,5 – 4,5 bar
 FA45.3-10 – 10 bar
 FA45.3-14 – 14 bar
 FA45.3-21 – 21 bar
 FA45.3-32 – 32 bar



CE MARKING – GROUP 2 (PED – European Directive)		
CLASS 150	PN 40	Category
1 1/2" and 2" DN 40 and 50	–	SEP
–	1 1/2" and 2" DN 40 and 50	1 (CE marked)

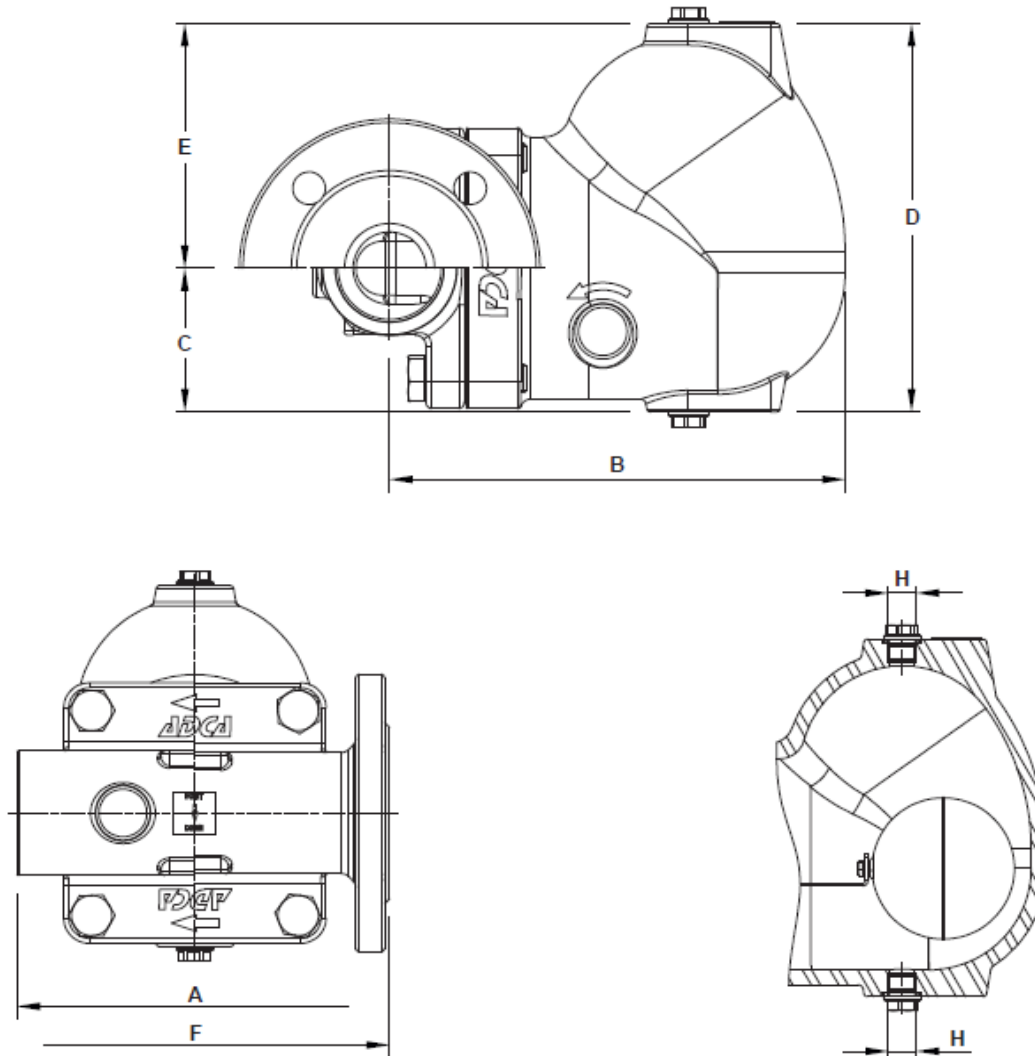
BODY LIMITING CONDITIONS		
FLANGED PN 40 / CLASS 300 *	FLANGED CLASS 150 **	RELATED TEMPERATURE
ALLOWABLE PRESSURE	ALLOWABLE PRESSURE	
40 bar	16 bar	100 °C
33,7 bar	13,6 bar	200 °C
31,8 bar	12 bar	250 °C
29,7 bar	10,2 bar	300 °C

PMO – Maximum operating pressure: 32 bar; TMO – Maximum operating temperature: 250 °C.
 Minimum liquid specific weight: 0,75 kg/dm³.

* According to EN 1092-1:2018; ** According to EN 1759-1:2004.

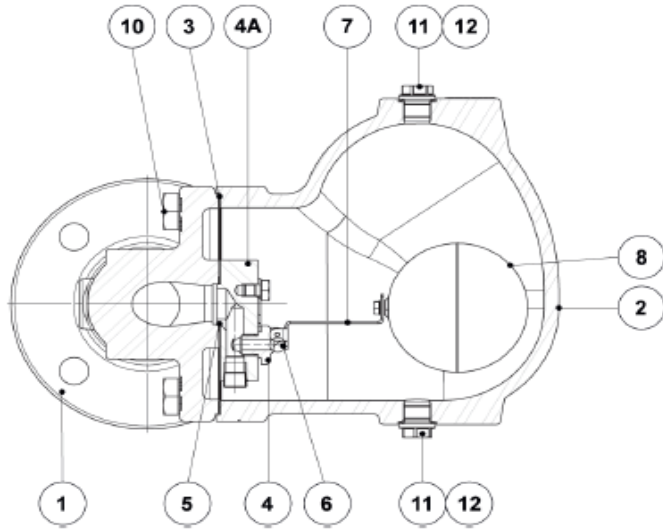
Body limiting conditions PN 40 or below, depending on the type of connection adopted. Rating PN 40 for threaded, SW and BW versions.

FLOW RATE CAPACITY (kg/h)														
MODEL	SIZE	DIFFERENTIAL PRESSURE (bar)												
		0,5	1	1,5	2	4,5	7	10	12	14	16	21	25	32
FA45.3-4,5	1 1/2" and 2" – DN 40 and 50	995	1450	1710	2000	2990	–	–	–	–	–	–	–	–
FA45.3-10	1 1/2" and 2" – DN 40 and 50	505	720	850	1010	1600	1890	2300	–	–	–	–	–	–
FA45.3-14	1 1/2" and 2" – DN 40 and 50	370	520	610	735	1150	1430	1620	1750	1980	–	–	–	–
FA45.3-21	1 1/2" and 2" – DN 40 and 50	305	430	515	600	900	1160	1435	1590	1620	1760	1995	–	–
FA45.3-32	1 1/2" and 2" – DN 40 and 50	175	230	290	340	505	625	745	815	900	955	1125	1250	1480



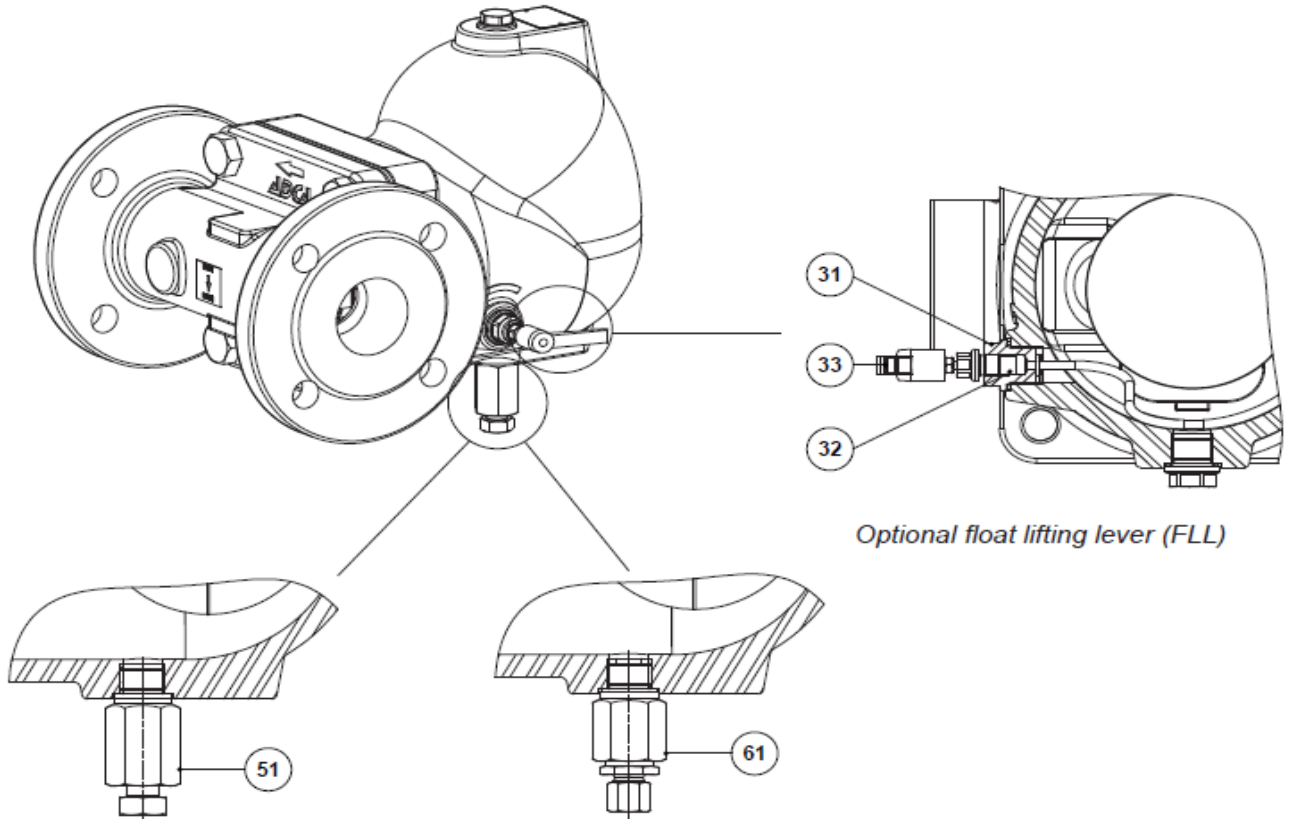
DIMENSIONS (mm)																
SIZE	THREADED / SW							PN 40			CLASS 150			CLASS 300		
	A	B	C	D	E	H*	WGT. (kg)	F	B	WGT. (kg)	F	B	WGT. (kg)	F	B	WGT. (kg)
1 1/2" – DN 40	210	250	80	215	136	3/8"	18,9	230	250	21,7	230	250	20,2	230	250	21,5
2" – DN 50	210	250	80	215	136	3/8"	18,2	230	250	23,6	230	250	21,5	230	250	23,2

* As standard, in versions with EN flanges and female ISO 7 Rp threads, these connections are female threaded ISO 228. In versions with ASME flanges, female NPT threads or SW, these connections are female threaded NPT.



MATERIALS		
POS. N°	DESIGNATION	MATERIAL
1	Body	A351 CF8M / 1.4408
2	Cover	A351 CF8M / 1.4408
3	* Gasket	Stainless steel / Graphite
4	* Seat	AISI 410 / 1.4006
4A	Mounting plate	AISI 316 / 1.4401
5	* Gasket	Graphite
6	* Valve ball	AISI 440C / 1.4125
7	* Lever	AISI 304 / 1.4301
8	* Float	AISI 304 / 1.4301
10	Bolt	Stainless steel A2-70
11	Plug	AISI 316L / 1.4404
12	** Gasket	Copper, AISI 304 / 1.4301
31	Lever mechanism	AISI 303 / 1.4305; AISI 304 / 1.4301; AISI 316L / 1.4404
32	Packing	Graphite
33	Lever	Plastic
51	Blowdown valve	AISI 303 / 1.4305; AISI 316L / 1.4404
61	Anti-freeze device	AISI 303 / 1.4305; AISI 316L / 1.4404

* Available spare parts; ** Not applicable in NPT version.

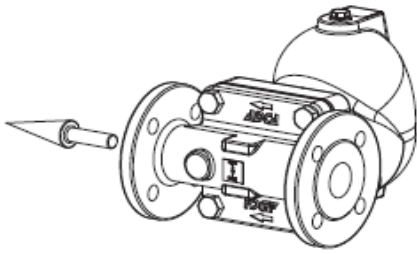


Optional float lifting lever (FLL)

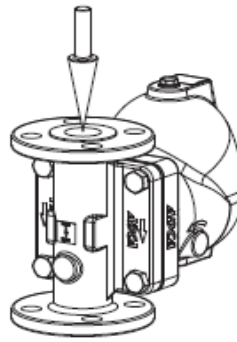
*Optional blowdown valve (BDV);
Manual*

*Optional anti-freeze device (AFZ);
Automatic*

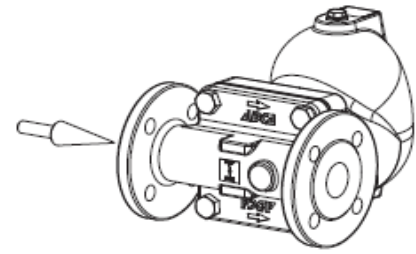
FLOW DIRECTION



R - Horizontal from right to left



V - Vertical from top to bottom



L - Horizontal from left to right

ORDERING CODES FA45.3

Model	FA453	2	M	XX	X	IR	A	40
FA45.3 – A351 CF8M / 1.4408 stainless steel	FA453							
Maximum allowable differential pressure (ΔPMX)								
4,5 bar		2						
10 bar		3						
14 bar		4						
21 bar		5						
32 bar		7						
Valve sealing								
Metal to metal			M					
Cover connections								
None				XX				
3/8" threaded connections on top and bottom, closed with plugs (mandatory if any options are considered)				10				
Options								
BDV and AFZ have specific separated ordering codes, please refer to the appropriate documentation								
FLL - Float lifting lever								
None					X			
Lifting lever on the right side (when facing the steam trap body)					R			
Lifting lever on the left side (when facing the steam trap body)					L			
Flow direction								
Horizontal from right to left – standard						IR		
Horizontal from left to right						IL		
Vertical from top to bottom						IT		
Pipe connections								
Female threaded ISO 7 Rp							A	
Female threaded NPT							C	
Socket weld (SW) ASME B16.11							H	
Flanged EN 1092-1 PN 40							N	
Flanged ASME B16.5 Class 150							U	
Flanged ASME B16.5 Class 300							V	
Size								
1 1/2" or DN 40								40
2" or DN 50								50
Special construction / Additional options								
Full description or additional codes have to be added in case of a non-standard combination								E