

**BIMETALLIC STEAM TRAPS AND AIR VENTS
 BSS20**

DESCRIPTION

The ADCA BSS20 is a series of robust and efficient bimetallic steam traps and air vents. Their compact design makes them ideal for air venting applications and condensate removal in small steam consumers.

MAIN FEATURES

- Modulating discharge.
- Discharges condensate below steam saturation temperature.
- Excellent air discharge.
- Operates with superheated steam.
- Unaffected by water hammer and vibrations.
- Built-in strainer.

USE: Saturated and superheated steam.

AVAILABLE MODELS: BSS20 – stainless steel.

SIZES: 1/2".

CONNECTIONS: Female threaded ISO 7 Rp or NPT.

INSTALLATION: Horizontal or vertical installation.
 See IMI – Installation and maintenance instructions.



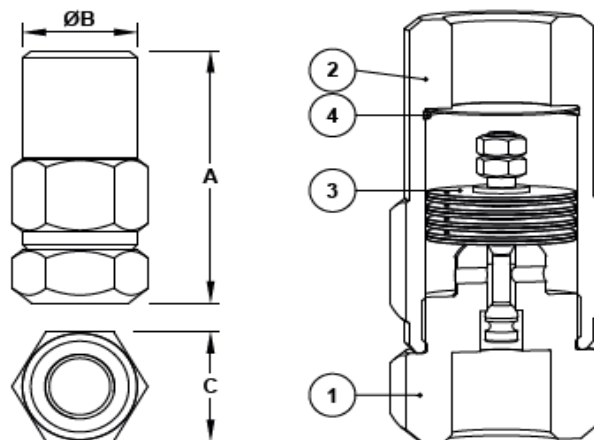
CE MARKING – GROUP 2 (PED – European Directive)	
PN 40	Category
1/2"	SEP

BODY LIMITING CONDITIONS	
THREADED PN 40 ALLOWABLE PRESSURE	RELATED TEMPERATURE
34,4 bar	100 °C
30,8 bar	150 °C
28 bar	200 °C
26 bar	250 °C

PMO – Maximum operating pressure: 20 bar.
 TMO – Maximum operating temperature: 250 °C.

FLOW RATE CAPACITY (kg/h)														
MODEL	SIZE	DIFFERENTIAL PRESSURE (bar)												
		0,6	1	2	3	4	5	6	7	8	10	13	15	20
(A) BSS20	1/2"	45	65	100	130	155	170	195	205	220	245	255	270	330
(B) BSS20	1/2"	150	230	350	440	490	540	630	650	680	730	820	980	1120

A: Hot condensate discharge 10 °C below saturation temperature; B: Cold condensate discharge at 20 °C.



DIMENSIONS (mm)				
SIZE	A	ØB	C	WGT. (kg)
1/2"	80	35	36	0,4

MATERIALS		
POS. N°	DESIGNATION	MATERIAL
1	Body	AISI 304 / 1.4301
2	Cover	AISI 304 / 1.4301
3	* Bimetallic regulator	Corrosion resistant bimetal; Stainless steel
4	* Strainer screen	AISI 304 / 1.4301

* Available spare parts.