

**BIMETALLIC STEAM TRAPS AND AIR VENTS
 BM87**

DESCRIPTION

The BM87 is a series of robust and efficient bimetallic steam traps and air vents. These steam traps are recommended for steam process applications where sensible heat can be recovered, such as steam tracing lines, drip points, storage tank coils and steam air venting.

MAIN FEATURES

- Modulating discharge.
- Discharges condensate below steam saturation temperature.
- Excellent air discharge.
- Operates with superheated steam.
- Unaffected by water hammer and vibrations.
- Built-in strainer.

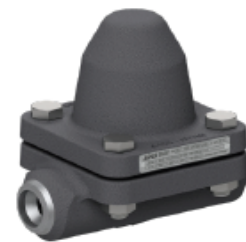
USE: Saturated and superheated steam.

AVAILABLE MODELS: BM87 – carbon steel.

SIZES: 1/2" to 1"; DN 15 to DN 25.

CONNECTIONS: Female threaded ISO 7 Rp or NPT.
 Flanged EN 1092-1 PN 40 or PN 63.
 Flanged ASME B16.5 Class 300 or 600.
 Socket weld (SW) ASME B16.11.
 Butt weld (BW) ASME B16.25.

INSTALLATION: Horizontal installation is recommended, but can be installed in any position.
 See IMI – Installation and maintenance instructions.



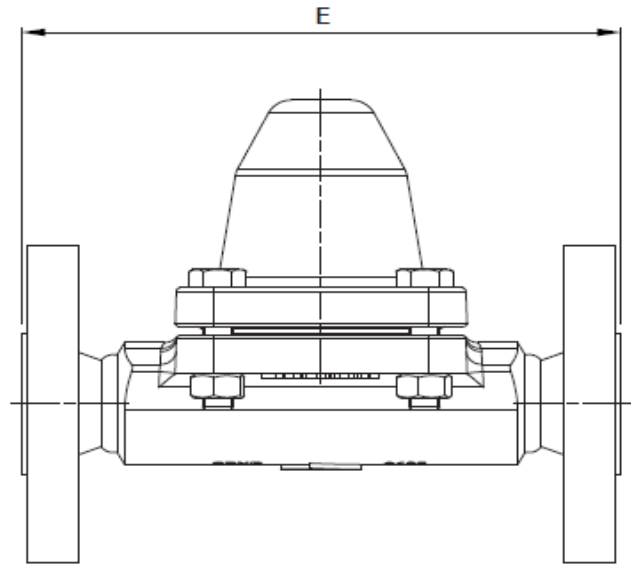
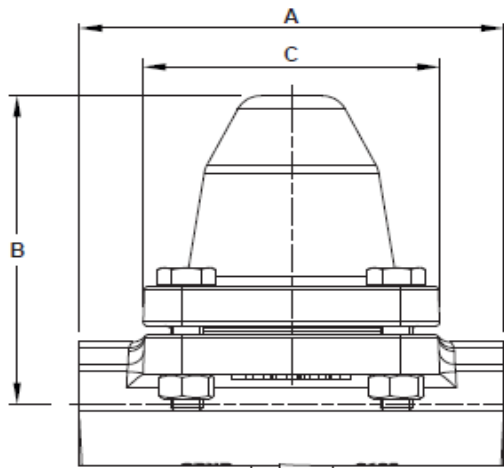
CE MARKING – GROUP 2 (PED – European Directive)	
PN 63	Category
1/2" to 1" – DN 15 to 25	SEP

BODY LIMITING CONDITIONS			
FLANGED PN 63 / CLASS 600 *	FLANGED PN 40	FLANGED CLASS 300 **	RELATED TEMP.
ALLOW. PRES.	ALLOW. PRES.	ALLOW. PRES.	
63 bar	40 bar	50 bar	50 °C
48 bar	30,4 bar	41,8 bar	250 °C
43,5 bar	27,6 bar	38,9 bar	300 °C
29,1 bar	18,5 bar	28,7 bar	425 °C

PMO – Maximum operating pressure: 45 bar;
 TMO – Maximum operating temperature: 425 °C.
 * According to EN 1092-1:2018.
 ** According to EN 1759-1:2004.
 Body limiting conditions PN 63 or below, depending on the type of connection adopted. Rating PN 63 for threaded, SW and BW versions.

FLOW RATE CAPACITY (kg/h)											
MODEL	SIZE	DIFFERENTIAL PRESSURE (bar)									
		4	6	8	10	15	20	25	30	40	45
(A) BM87	1/2" to 1" DN 15 to 25	150	230	280	320	390	430	480	500	580	590
(B) BM87	1/2" to 1" DN 15 to 25	1300	1600	1800	2000	2300	2660	2900	3100	3900	4100

A: Hot condensate discharge 10 °C below saturation temperature; B: Cold condensate discharge at 20 °C.



DIMENSIONS (mm)												
SIZE	THREADED / SW / BW *				PN 40		PN 63		CLASS 300		CLASS 600	
	A	B	C	WEIGHT (kg)	E **	WEIGHT (kg)	E **	WEIGHT (kg)	E **	WEIGHT (kg)	E **	WEIGHT (kg)
1/2" – DN 15	160	125	112	6,2	210	7,5	210	8,3	230	7,6	230	7,8
3/4" – DN 20	160	125	112	6,1	230	8,3	230	10	230	8,6	230	8,9
1" – DN 25	160	125	112	6	230	8,7	230	11,2	230	9,1	230	9,4

* In case of BW connections please indicate pipe dimensions when ordering. Body limiting conditions may be restricted by the BW end wall thickness. Consult the manufacturer.

** Other face to face dimensions on request.

MATERIALS		
POS. N°	DESIGNATION	MATERIAL
1	Body	A105 / 1.0432 (Equiv. P250GH)
2	Cover	A105 / 1.0432 (Equiv. P250GH)
3	* Gasket	Stainless steel / Graphite
4	* Bimetallic regulator	Corrosion resistant bimetal; Stainless steel
5	* Strainer screen	AISI 304 / 1.4301
6	Bolt	A193 Gr. B7
7	Nut	A194 Gr. 2H

* Available spare parts.

