

**BIMETALLIC STEAM TRAPS AND AIR VENTS**  
**BM24**  
 (1/2" to 1" – DN 15 to DN 25)

**DESCRIPTION**

The BM24 is a series of robust and efficient bimetallic steam traps and air vents. These steam traps are recommended for steam process applications where sensible heat can be recovered, such as steam tracing lines, drip points, storage tank coils and steam air venting.

**MAIN FEATURES**

- Modulating discharge.
- Discharges condensate below steam saturation temperature.
- Excellent air discharge.
- Operates with superheated steam.
- Unaffected by water hammer and vibrations.
- Built-in strainer.

- OPTIONS:** Blowdown valve.
- USE:** Saturated and superheated steam.

**AVAILABLE MODELS:** BM24 – carbon steel.

**SIZES:** 1/2" to 1"; DN 15 to DN 25.

- CONNECTIONS:** Female threaded ISO 7 Rp or NPT.  
 Flanged EN 1092-1 PN 40.  
 Flanged ASME B16.5 Class 150 or 300.  
 Socket weld (SW) ASME B16.11.  
 Butt weld (BW) ASME B16.25 on request.

**INSTALLATION:** Horizontal installation is recommended, but can be installed in any position.  
 See IMI – Installation and maintenance instructions.



CE MARKING – GROUP 2 (PED – European Directive)	
PN 40	Category
1/2" to 1" – DN 15 to 25	SEP

BODY LIMITING CONDITIONS		
FLANGED PN 40 / CLASS 300 *	FLANGED CLASS 150 **	RELATED TEMPERATURE
ALLOWABLE PRESSURE	ALLOWABLE PRESSURE	
40 bar	19,3 bar	50 °C
35 bar	15,8 bar	150 °C
30,4 bar	12,1 bar	250 °C
27,6 bar	10,2 bar	300 °C

PMO – Maximum operating pressure: 24 bar.

TMO – Maximum operating temperature: 250 °C.

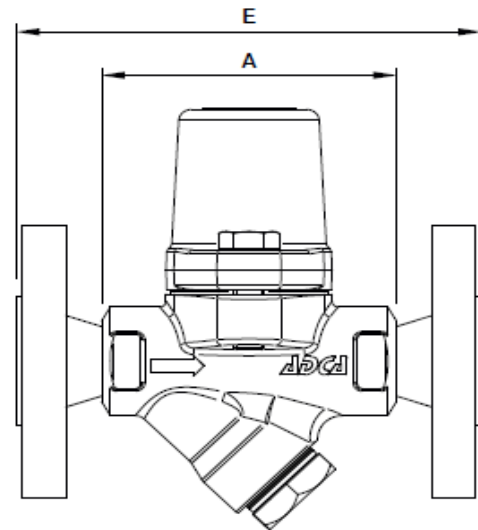
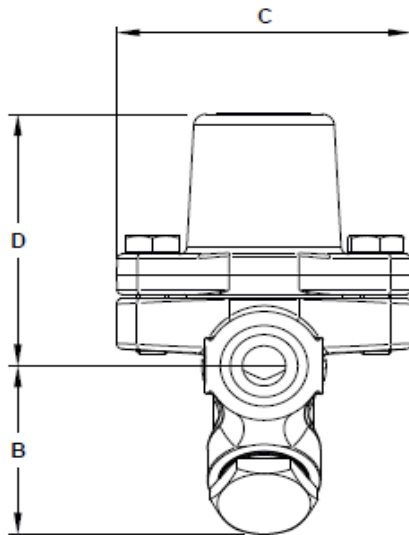
\* According to EN 1092-1:2018.

\*\* According to EN 1759-1:2004.

Body limiting conditions PN 40 or below, depending on the type of connection adopted. Rating PN 40 for threaded, SW and BW versions.

FLOW RATE CAPACITY (kg/h)															
MODEL	SIZE	DIFFERENTIAL PRESSURE (bar)													
		0,5	1	2	4	6	8	10	12	14	16	18	20	22	24
(A) BM24	1/2" to 1" DN 15 to 25	225	350	490	650	720	795	820	850	880	900	905	910	915	925
(B) BM24	1/2" to 1" DN 15 to 25	550	800	1100	1500	1750	1825	2000	2100	2175	2235	2390	2490	2585	2680

A: Hot condensate discharge 10 °C below saturation temperature; B: Cold condensate discharge at 20 °C.



DIMENSIONS (mm)												
SIZE	THREADED / SW					PN 40		CLASS 150		CLASS 300		
	A	B	C	D	WGT. (kg)	E *	WGT. (kg)	E *	WGT. (kg)	E *	WGT. (kg)	
1/2" – DN 15	95	59	95	90	2,1	150	3,7	150	3,2	150	4	
3/4" – DN 20	95	59	95	90	2,1	150	4,5	150	3,7	150	5,3	
1" – DN 25	95	65	95	90	2,1	160	4,9	160	4,5	160	6,1	

\* Other face to face dimensions on request.

MATERIALS		
POS. N°	DESIGNATION	MATERIAL
1	Body	P250GH / 1.0460
2	Cover	P250GH / 1.0460
3	* Gasket	Stainless steel / Graphite
4	* Bimetallic regulator	Corrosion resistant bimetal; Stainless steel
5	* Seat gasket	Copper
6	* Strainer screen	AISI 304 / 1.4301
7	* Strainer gasket	Stainless steel / Graphite
8	* Strainer cover	A105 / 1.0432
9	Bolt	Stainless steel A2-70

\* Available spare parts.

