

**BLOWDOWN / DEPRESSURIZATION AND VENT VALVES  
 BDV, BDVL, HVV and AFZ**

**DESCRIPTION**

The ADCA BDV, AFZ and HVV vent valves are designed to drain (blowdown) or vent (depressurize) pipework, steam traps, valves and others.

**USE:** BDV – Blowdown valves – Manual discharge of strainer screen contents and generally to be used as a drain and/or depressurization valve.

BDVL – Same as above, but also allows the discharge to be connected to a safe location.

HVV – Hand vent valves – Venting of float traps and generally to be used as a vent or depressurization valve.

AFZ – Anti-freeze device – Automatic discharge of condensate from steam traps, valves, pipelines and others, to prevent the condensate from freezing inside.

**AVAILABLE MODELS:** BDV, BDVL, AFZ and HVV.

**SIZES:** 3/8" and M22.

**CONNECTIONS:** NPT-M.  
 ISO 228.  
 Metric fine pitch.



BDV



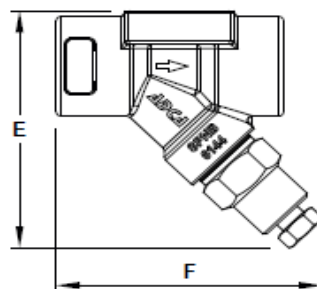
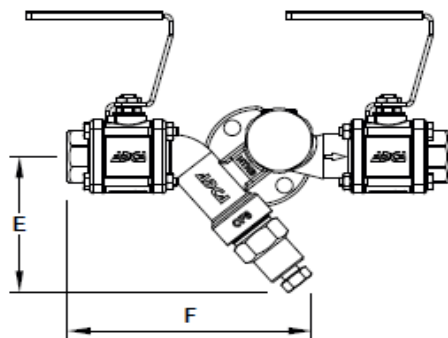
BDVL



AFZ



HVV



CE MARKING – GROUP 2 (PED – European Directive)	
--	--

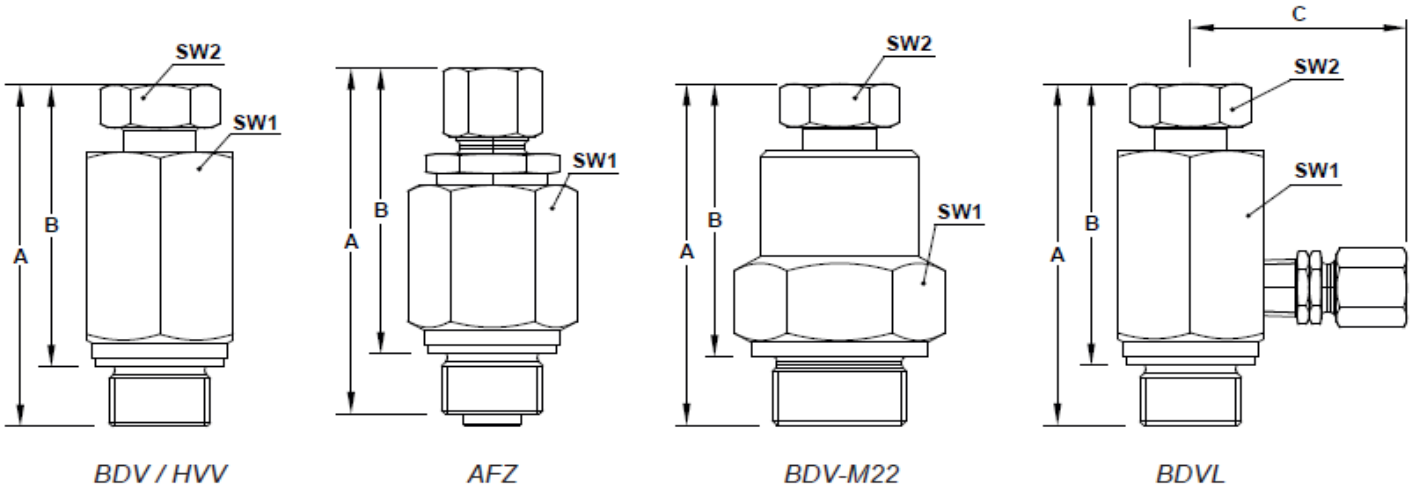
PN 100	Category
3/8" and M22	SEP

LIMITING CONDITIONS	
---------------------	--

Body design conditions	PN 100
TMO – Maximum operating temperature	400 °C
PMO – Maximum operating pressure	42 bar
AFZ opening pressure	≈ 0,2 bar
AFZ closing pressure	≈ 0,3 bar

**DIMENSIONS WHEN APPLYING BDV TO STEAM TRAPS AND UNIVERSAL CONNECTORS (mm)**

SIZE	BDV SIZE	STEAM TRAP MODEL															
		DT46		DT42/2		TH32		BM20		BM32		CDV		UCX41		CTS4U	
		E	F	E	F	E	F	E	F	E	F	E	F	E	F	E	F
1/2" – DN 15	M22	83	94	83	94	83	94	83	94	83	94	83	94	83	102	94	148
3/4" – DN 20	M22	83	94	83	94	83	94	83	94	83	94	83	94	83	102	94	148
1" – DN 25	M22	90	100	90	100	90	100	90	100	90	100	90	100	83	108	–	–

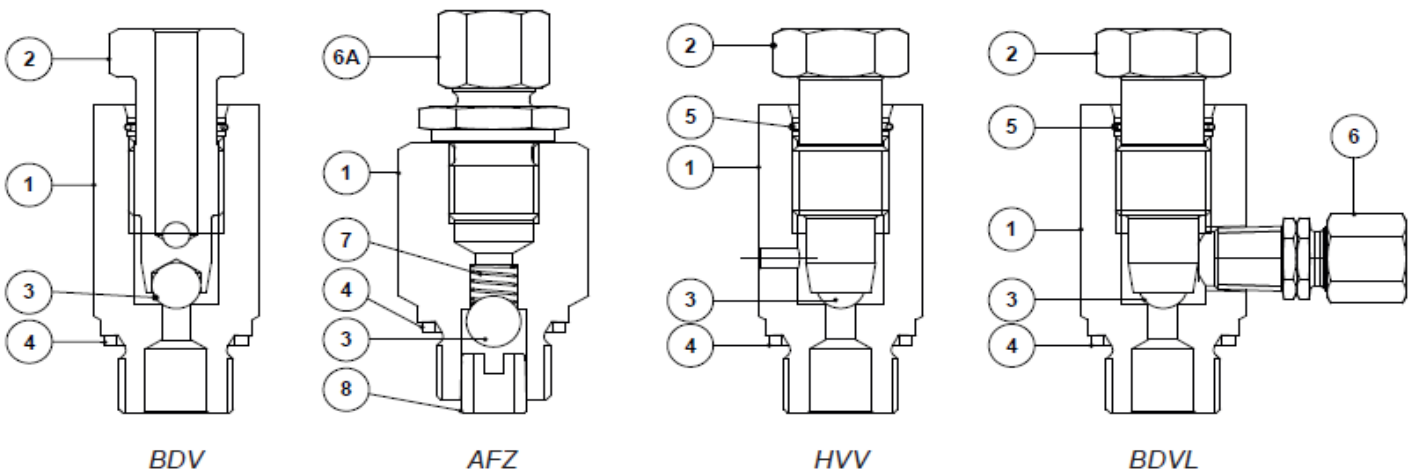


DIMENSIONS – BDV (mm)					
SIZE	A	B	SW1	SW2	WEIGHT (kg)
3/8"	61	50	24	17	0,2
M22	60	48	30	17	0,2

DIMENSIONS – BDVL (mm)						
SIZE	A	B	C	SW1	SW2	WEIGHT (kg)
3/8"	61	50	35,5	24	17	0,2

DIMENSIONS – HVV (mm)					
SIZE	A	B	SW1	SW2	WEIGHT (kg)
3/8"	61	49	24	17	0,2

DIMENSIONS – AFZ (mm)				
SIZE	A	B	SW1	WEIGHT (kg)
3/8"	61	50	24	0,2



MATERIALS					
POS. N°	DESCRIPTION	MATERIAL	POS. N°	DESCRIPTION	MATERIAL
1	Body	AISI 303 / 1.4305	6	Compression fitting 1/8" x 6 mm	AISI 316 / 1.4401
2	Valve screw	AISI 410 / 1.4006	6A	Compression fitting 1/4" x 8 mm	AISI 316 / 1.4401
3	Ball valve	AISI 440C / 1.4125	7	Spring	AISI 302 / 1.4310
4	* Gasket	Stainless steel / Graphite; Copper / Stainless steel	8	Ball retainer	AISI 303 / 1.4305
5	Retaining ring	Spring steel			

\* Not applicable in NPT version.