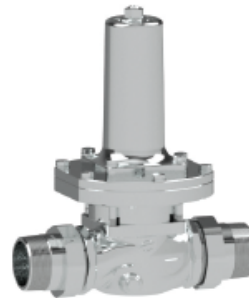




DRV 750-R
 Type A (DN 15 - DN 32)



DRV 750-R
 Type B (DN 40 - DN 50)



Pressure reducing valve
Male thread • Low pressure
Stainless steel

Pressure reducing valves of the series are diaphragm-controlled, spring-loaded pressure reducing valves. These valves are inlet pressure relieved.

DGRL 2014/68/EU



Classification societies

- DNV GL
- LR
- BV
- ABS
- CCS

Customs tariff number

84811005

Media

The pressure reducers are suitable for use with aggressive waters and other aggressive liquids, but can also be used for air and neutral gases when larger flow rates are required.

FDA / EC 1935/2004

Our stainless steel series with EPDM seals correspond to the requirements of the EU Regulation EC 1935/2004 and the Regulations of the FDA (Food and Drug Administration).

The metallic components in contact with the medium are made of austenitic materials such as 1.4408 and 1.4404.

The EPDM seals are conform FDA (21 CFR part 177.2600) and EC 1935/2004. This means you can use our stainless steel series with EPDM seals in the secondary sector of food applications.



Features

- pressure-relieved single seated valve
- diaphragm-controlled
- continuously adjustable outlet pressure
- max. inlet pressure up to 25 bar
- outlet pressure: 0,2 - 2 bar
- male thread acc. ISO 7
- with integrated strainer filter
- replaceable inner parts
- double-ended G 1/4" manometer fitting (for outlet pressure)
- assembly position: any desired, preferably vertical
- minimum pressure difference (inlet/outlet pressure): 1 bar
- EPDM seals with FDA conformity



Temperatures

Various options in the area of seals and wetted inner parts allow a maximum temperature of up to 190 °C.



from -30 °C up to +190 °C

Seals and temperatures

NBR***	-15 °C to +100 °C
EPDM*	-30 °C to +130 °C
FKM	-10 °C to +190 °C

Pressures



max. 25 bar



0,2 - 2 bar

Connections



Male thread
 acc. ISO 7
 from R 1/2" up to R 2"

Materials

	body	spring bonnet	seals	wetted inner parts	max. temperature
standard version	stainless steel 1.4408	stainless steel 1.4408	EPDM*, FKM, NBR***	stainless steel 1.4404	190 °C**



Technical data

nominal size	15	20	25	32	40	50
R	1/2"	3/4"	1"	1 1/4"	1 1/2"	2"

Type

A

B

Pressures

max. inlet pressure [bar]

max. 25 bar



DRV 750-R

25

25

outlet pressure [bar]

0,2 - 2 bar



DRV 750-R

0,2 - 2

0,2 - 2

Connections

Male thread
 from R 1/2" to R 2"



dimensions [mm]

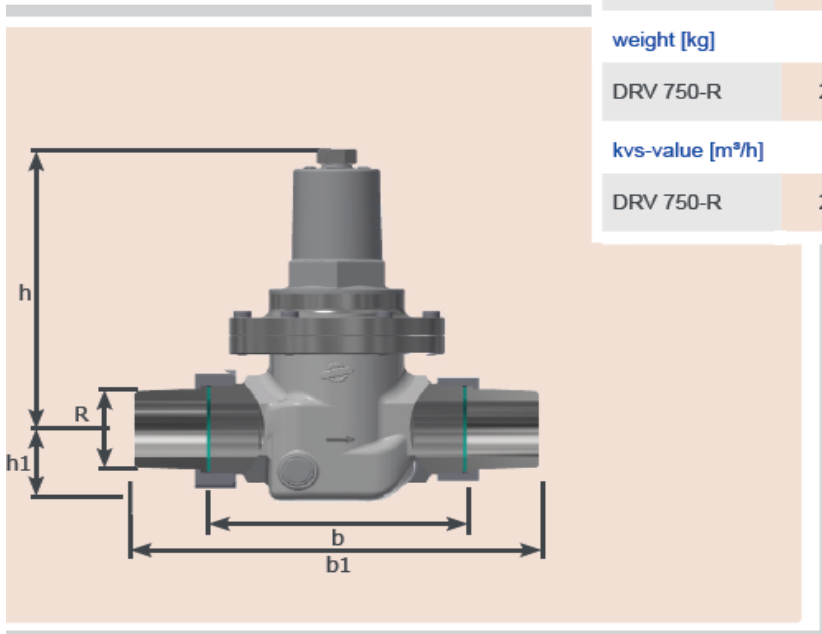
	R	1/2"	3/4"	1"	1 1/4"	1 1/2"	2"
DRV 750-R	b	105	105	122	122	160	160
	b1	168	168	195	195	250	250
	h1	29	29	38	38	39	39
	h	136	136	148	148	271	271

weight [kg]

DRV 750-R	2,0	2,0	3,8	3,9	10,3	10,2
-----------	-----	-----	-----	-----	------	------

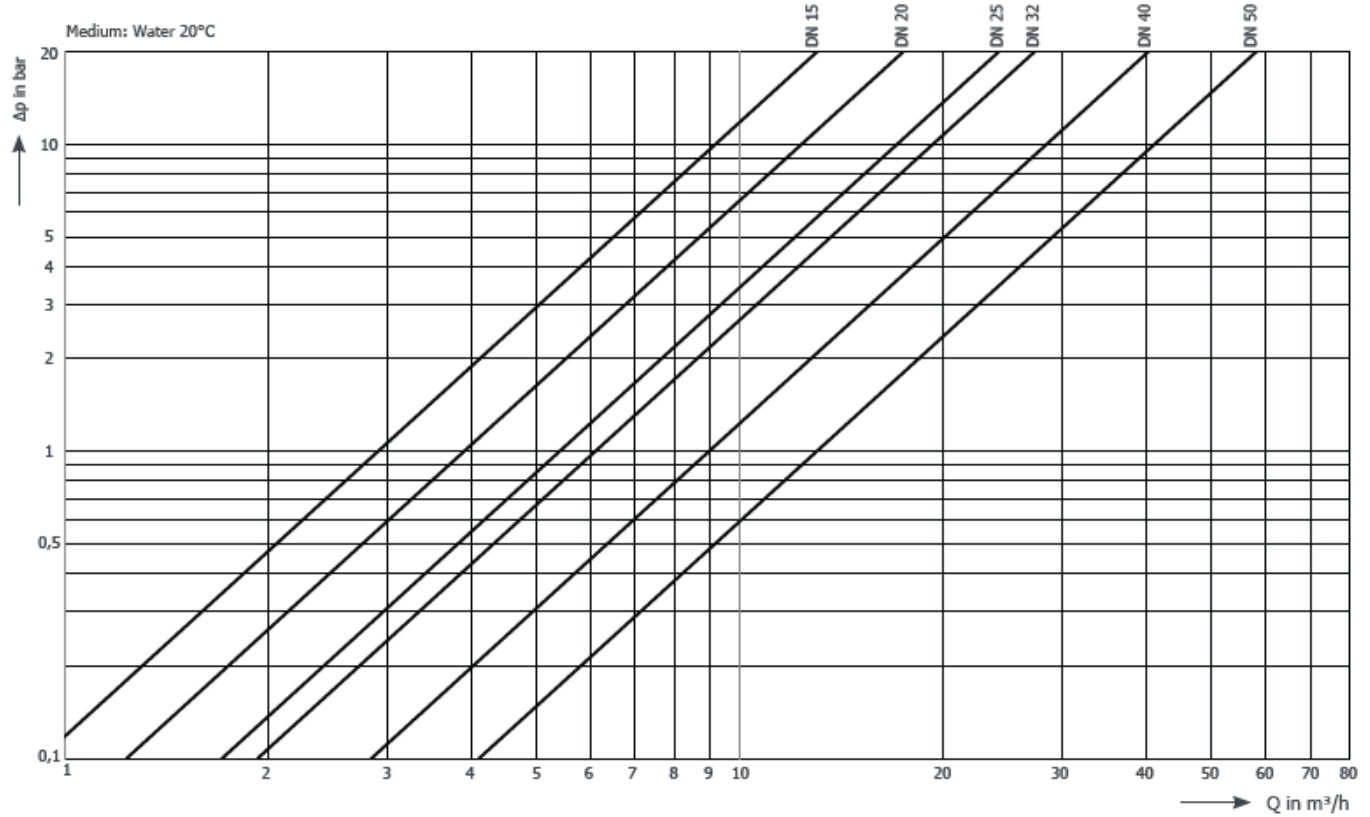
kvs-value [m³/h]

DRV 750-R	2,9	3,9	5,4	6,1	9	13
-----------	-----	-----	-----	-----	---	----





Flow diagram



Manometer

diameter	connection	body	pressure range	max. temp.	art.no.*
63 mm	G 1/4", central back	stainless steel	0 - 10 bar	190 °C**	009014

*article numbers are 11 digits, see option overview and configuration example
 **with FKM seals