



DRV 824 • DRV 825
 Type A (DN 15 - DN 32)



DRV 824 • DRV 825
 Type B (DN 40 - DN 50)



DRV 824
 Type C (DN 65 - DN 100)



Pressure reducing valve
Flange • High pressure
Stainless steel

Pressure reducing valves of the series are piston-controlled, spring-loaded pressure reducing valves. These valves are inlet pressure relieved.

Media

The pressure reducers are suitable for use with aggressive waters and other aggressive liquids, but can also be used for air and neutral gases when larger flow rates are required.

DGRL 2014/68/EU



Classification societies

- DNV GL
- LR
- BV
- ABS
- CCS

Customs tariff number

84811005
 84811019



Features

- pressure-relieved single seated valve
- piston-controlled
- continuously adjustable outlet pressure
- max. inlet pressure up to 40 bar (up to DN 50)/ 25 bar (DN 65 - DN 100)
- outlet pressure: 1,5 - 20 bar
- flanges acc. DIN EN 1092 PN 40/ PN 25
- optionally all sizes with ANSI or JIS flanges
- with integrated strainer filter (up to DN 50)
- replaceable inner parts
- double-ended G 1/4" manometer fitting
- assembly position: any desired, preferably vertical
- minimum pressure difference (inlet/outlet pressure): 1 bar

Pressures



max. 40 bar



1,5 - 20 bar

Connections



Flange connection
 acc. DIN EN 1092 PN 40 (up to DN 50)
 acc. DIN EN 1092 PN 25 (DN 65 - DN 100)

Materials

	body	spring bonnet	seals	wetted parts	max. temperature
standard version	stainless steel 1.4408	stainless steel 1.4408	FKM***, EPDM**, NBR*	stainless steel 1.4404	190 °C****



Temperatures

Various options in the area of seals and wetted internal parts allow a maximum temperature of up to 190 °C.



from -30 °C up to +190 °C

Seals and temperatures

- NBR* -15 °C to +100 °C
- EPDM** -30 °C to +130 °C
- FKM*** -10 °C to +190 °C

*DN 20 - DN 100
 **DN 40 - DN 100
 ***DN 15 - DN 50
 ****with FKM seals



Technical data

nominal size 15 20 25 32 40 50 65 80 100

Type

Pressures

max. 40 bar



max. inlet pressure [bar]

DRV 824
 DRV 825

A

B

C

40

40

25

40

40

-

outlet pressure [bar]

1,5 - 20 bar



DRV 824
 DRV 825

1,5 - 12

1,5 - 12

4,0 - 12

2,0 - 20

2,0 - 20

-

Connections

Flange connection
 from DN 15 to DN 100



dimensions [mm]

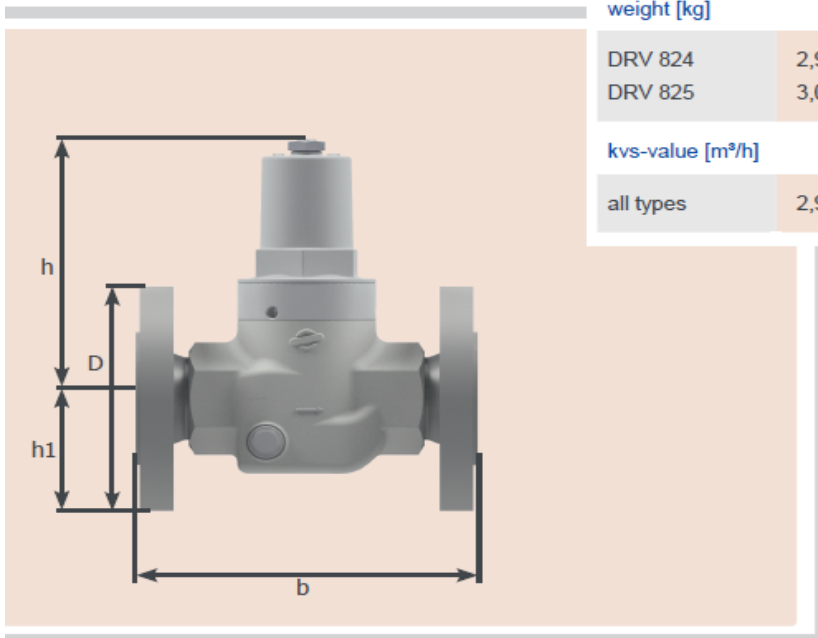
all types	b	130	150	160	180	200	230	290	310	350
	D	95	105	115	140	150	165	185	200	235
	h1	48	53	58	70	75	83	127	127	127
	h	135	134	135	137	247	247	354	354	354

weight [kg]

DRV 824	2,9	3,6	5,3	6,7	11,2	13,0	34,5	37,4	41,4
DRV 825	3,0	3,7	5,4	6,7	11,2	13,0	-	-	-

kvs-value [m³/h]

all types	2,9	3,9	5,4	6,1	9	13	48	60	70
-----------	-----	-----	-----	-----	---	----	----	----	----





Options

C C - connections*

00 -	DIN EN 1092 PN 40	standard up to DN 50
00 -	DIN EN 1092 PN 25	standard DN 65 - DN 100
61 -	ANSI B16.5 RF	class 150 lbs

* other connection types on request

M - material wetted parts

0 -	stainless steel 1.4404	standard
-----	------------------------	----------

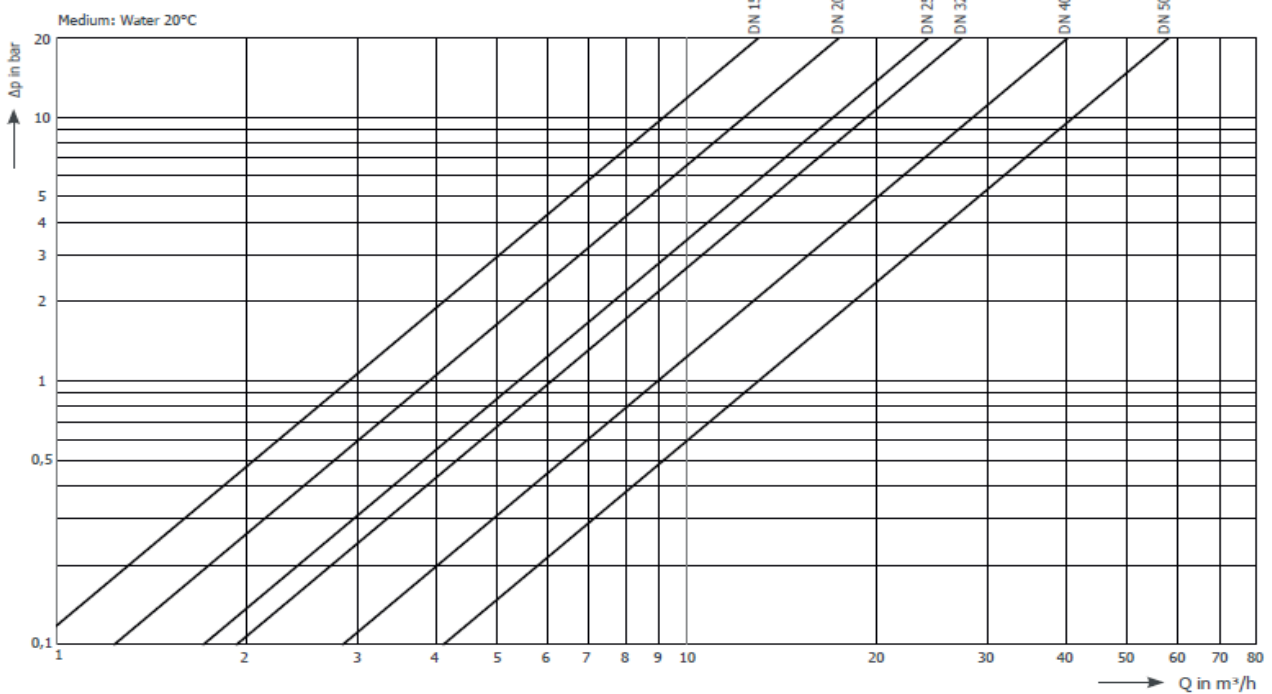
E - elastomers

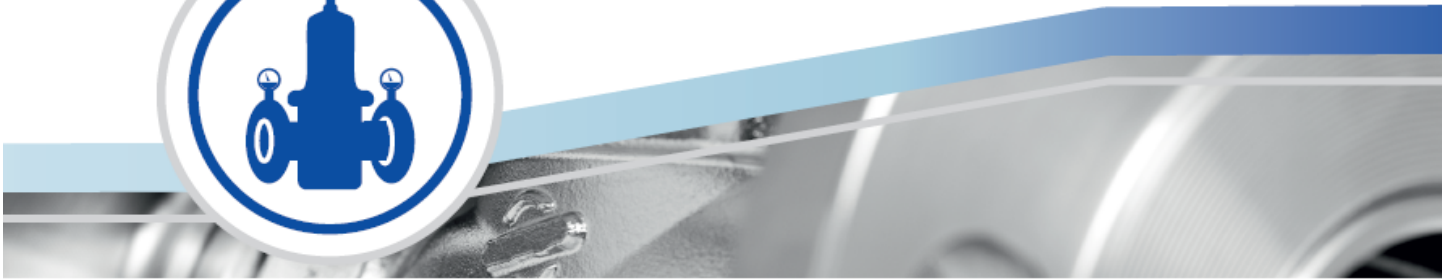
0 -	FKM	DN 15 - DN 50
1 -	NBR	DN 20 - DN 100
2 -	EPDM	DN 40 - DN 100

B - Beschichtungen

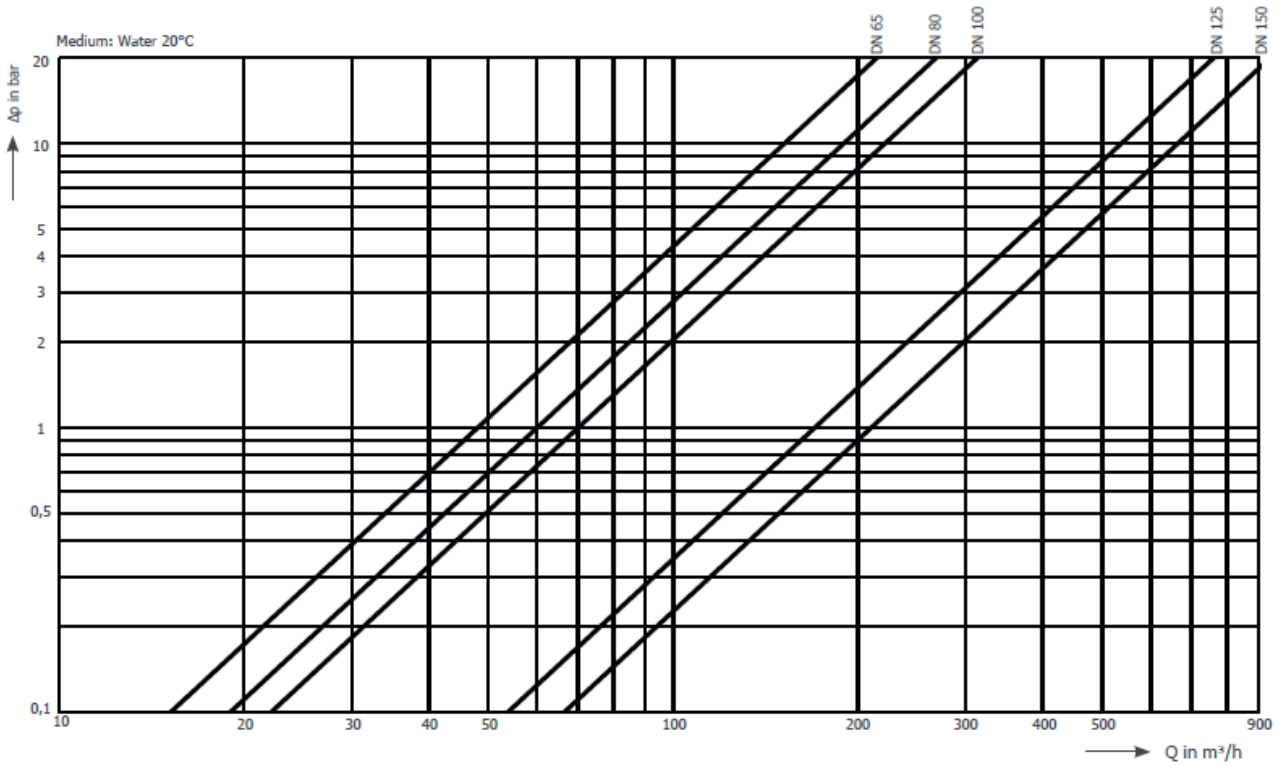
0 -	ohne zusätzliche Beschichtung
-----	-------------------------------

Flow diagram





Flow diagram



Manometer

diameter	connection	body	pressure range	max. temp.	art.no.
63 mm	G 1/4", central back	stainless steel	0 - 10 bar	200 °C	009014
63 mm	G 1/4", radial bottom	stainless steel	0 - 10 bar	200 °C	009018
63 mm	G 1/4", central back	stainless steel	0 - 25 bar	200 °C	009017
63 mm	G 1/4", radial bottom	stainless steel	0 - 25 bar	200 °C	009019