

Stainless Steel Modulating Angle Valve

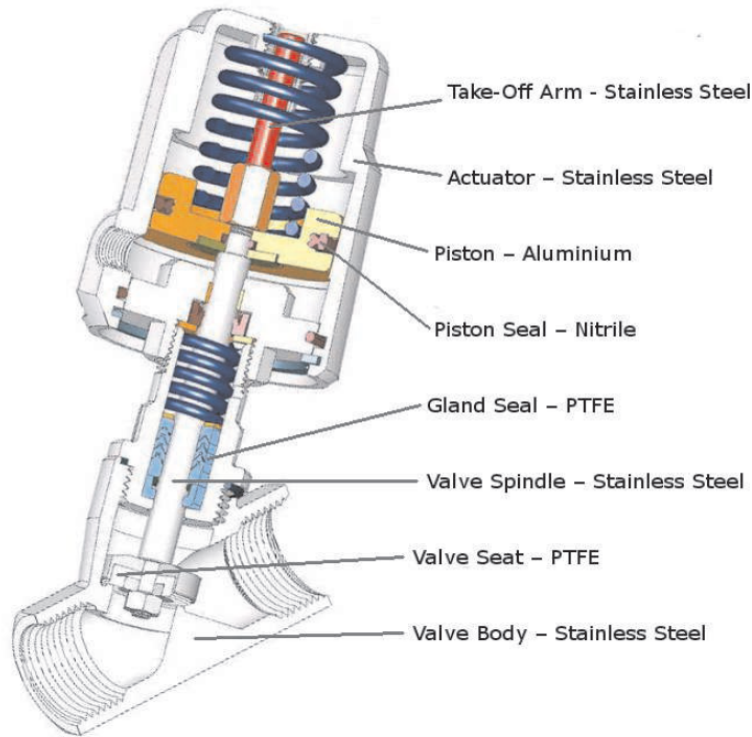
Typical Applications.

- Air Drying Equipment
- Autoclaves
- Bottling & Dispensing Equipment
- CIP Equipment
- Disinfection
- Food Industry
- Gas Industry
- Industrial Compressors
- Ink & Paint Dispensing
- Laundry Equipment
- Medical Equipment
- Pollution Control Equipment
- Process Control Applications
- Rubber machinery
- Steam Applications
- Sterilizers
- Textile Dyeing & Drying

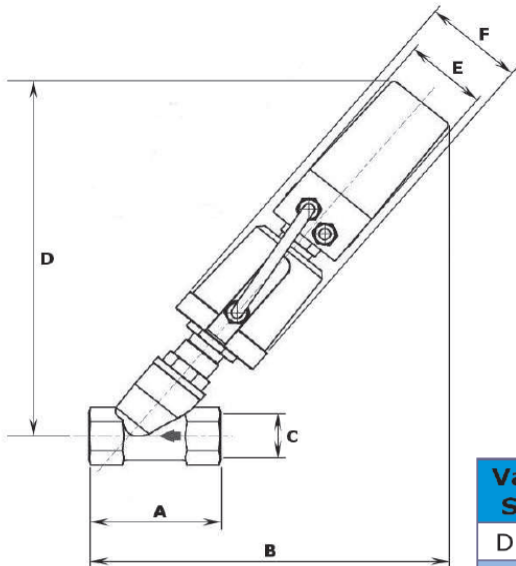


| | |
|---------------------|------------------------------------|
| Nominal Size | DN10 to DN50 |
| Connections | G ³ / ₈ - G2 |
| Nominal Pressure | PN16 |
| Medium | Neutral gases & liquids |
| Medium Viscosity | 600 mm ² /s (600 cSt) |
| Medium Temperature | -10°C to 180°C |
| Operation | Direct |
| Control | Single Acting |
| Control Media | Compressed air 3-8 BarG |
| Control Signal | 4-20 mA |
| Ambient Temperature | -10°C to 60°C |
| Installation | Actuator upwards |

Construction (Valve/Actuator).



Dimensions.



Positioner Connections:

Electrical (Power & Signal): 1 x M12 Plug (A-Coded)
 Pneumatic Inlet: 6mm Push-In (Angle)

| Valve Size | Actuator Size | K _v Value | A | B | C | D | E | øF |
|------------|---------------|----------------------|-----|-----|--------------------------------|-----|---------|----|
| DN10 | 40 | 2 | 68 | 188 | G ³ / ₈ | 196 | 42 x 42 | 46 |
| DN15 | 40 | 2 | 68 | 188 | G ¹ / ₂ | 196 | 42 x 42 | 46 |
| DN20 | 50 | 3 | 75 | 205 | G ³ / ₄ | 212 | 42 x 42 | 60 |
| DN25 | 50 | 5 | 90 | 217 | G1 | 221 | 42 x 42 | 60 |
| DN32 | 63 | 15 | 116 | 256 | G1 ¹ / ₄ | 256 | 42 x 42 | 77 |
| DN40 | 63 | 21 | 120 | 258 | G1 ¹ / ₂ | 259 | 42 x 42 | 77 |
| DN50 | 63 | 38 | 138 | 271 | G2 | 265 | 42 x 42 | 77 |