

**PNEUMATIC CONTROL VALVES
 PV403 DN 15 – DN 50
 (V403 globe valves series with linear actuators PA or EL series)**

DESCRIPTION

The PV403 control valves are three-way valve body for mixing service. The PA pneumatic actuator is rubber diaphragm and multi-springs. Its action can be DA – direct action (air to close) or RA – reverse action (air to open). The V403 valves have been designed to assure an accurate control in any process condition. Their wide application ranges allow the use of this valve with the most common process fluids such as water, superheated water, diathermic oil, steam, air, gas and other non corrosive fluids.



MAIN FEATURES

Mixing or diverting control valve.
 Standard packing or bellows sealed stem sealing.

OPTIONS: Soft sealing.
 Position transmitter.
 Pneumatic pilot positioner.
 Air filter regulator.
 Top-work manual handwheel.

USE: Hot and superheated water.
 Diathermic oil.
 Saturated and superheated steam.
 Air, gases and other non-corrosive fluids.

AVAILABLE MODELS: PV403S and EV403S – steel.
 PV403I and EV403I – stainless steel.

SIZES: DN 15 to DN 50.

CONNECTION: Flanged EN 1092-1 PN 40.
 Flanged ASME B16.5 Class 150 or Class 300.
 Threaded connections on request.

PNEUMATIC ACTUATORS: PA205, PA280, PA340, PA435.

ACTUATORS CONNECTION: 1/4" NPT-F.

CONTROL SIGNAL: 0,2 – 1bar; 0,4 – 1,2 bar; 0,4 – 2 bar.

ELECTRIC ACT.: Consult IS EL 20.00 E – Linear electric actuators.

MAX. AIR SUPPLY: 3,5 bar.
AMBIENT TEMP.: -20 °C to 70 °C.
BONNET: Standard – up to 220 °C;
 Extended finned – above 220 °C.
STEM SEALING: PTFE/GR V-Rings – up to 220 °C.
 Graphite – up to 400 °C.
 Bellows sealed.

PLUG TYPE: Linear (PL).

PORT: Full port.

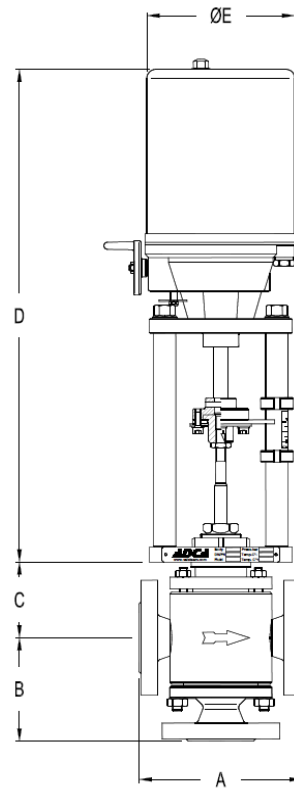
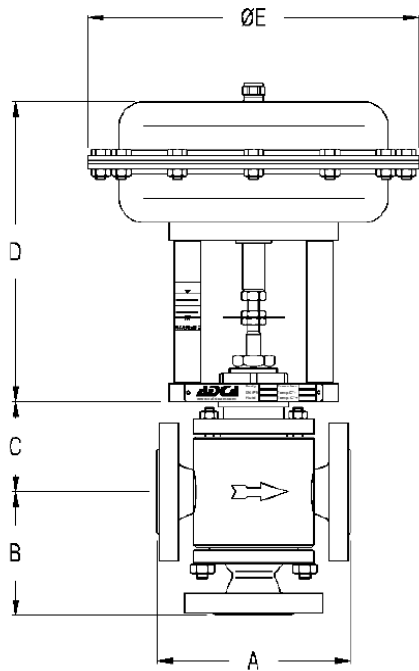
HOW TO SELECT: Never size the valve according to the pipe diameter in which it has to be fitted, but according to the required actual flow of steam or water. Refer to the valve calculation data sheet or consult the factory.

BODY LIMITING CONDITIONS *			
V403S		V403I	
ALLOW. PRESSURE	RELATED TEMP.	ALLOW. PRESSURE	RELATED TEMP.
25 bar	-10 / 50 °C	23,6 bar	-10 / 100 °C
20,8 bar	200 °C	19,8 bar	200 °C
19 bar	250 °C	18,6 bar	250 °C
17,2 bar	300 °C	17,2 bar	300 °C

* Rating according to EN 1092-1:2018;
 Maximum temperature limited to the valve packing selected.
 Valves with soft seal: max. allowable temperature: 200 °C.

CE MARKING – GROUP 2 (PED – European Directive)

PN 25	Category
DN 15 to DN 40	SEP
DN 50	1 (CE Marked)



DIMENSIONS (mm)

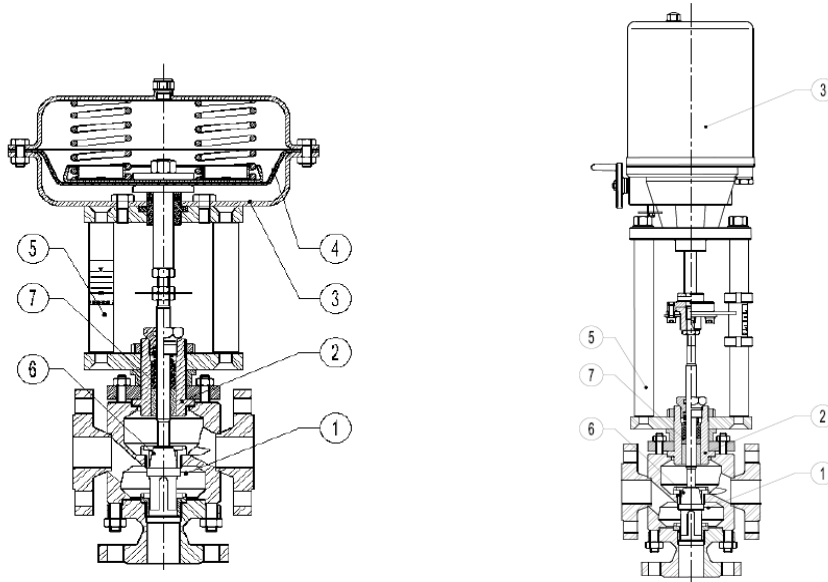
SIZE	A PN 40	A CLASS 150	A CLASS 300	B	C - BONNET	
					STANDARD PACKING	BELLOWS SEALED
1/2" – DN 15	150	184	190	100	75	267
3/4" – DN 20	150	184	194	103	75	267
1" – DN 25	160	184	197	103	75	267
1 1/4" – DN 32	180	–	–	110	83	285
1 1/2" – DN 40	200	222	235	110	96	285
2" – DN 50	230	254	267	130	100	298

DIMENSIONS – PNEUMATIC ACTUATOR

TYPE	E (mm)	D (mm)	WEIGHT (kg)
PA205	210	235	6
PA280	275	245	10
PA340	335	265	15
PA435	430	295	25

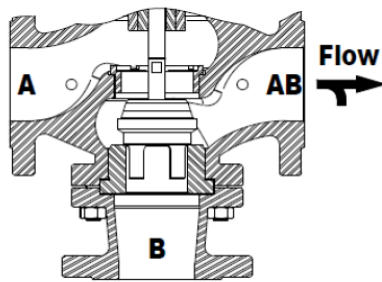
DIMENSIONS – ELECTRIC ACTUATOR

TYPE	E (mm)	D (mm)
EL12	130	340
EL20	145	458
EL45	145	458
EL80	188	517
EL120	188	517

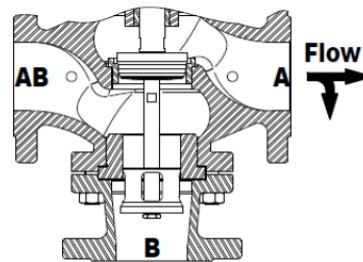


MATERIALS

POS. N°	DESIGNATION	V403S	V403I
1	Valve body	S355JR / 1.0045	AISI 316 / 1.4401
2	Bonnet	A351 CF8 / 1.4308	A351 CF8 / 1.4308
3	Pneum. actuator (steel)	S235JR / 1.0038	S235JR / 1.0038
	Pneum. actuator (st. steel)	AISI 304 / 1.4301	AISI 304 / 1.4301
	Electrical actuator casing	Aluminium	Aluminium
4	Diaphragm	NBR70	NBR70
5	Yoke (steel)	C45E / 1.1191	C45E / 1.1191
	Yoke (st. steel)	AISI 304/ 1.4301	AISI 304/ 1.4301
6	Valve plug	Stainless steel; PTFE/GR	Stainless steel; PTFE/GR
7	Standard packing	PTFE/GR	PTFE/GR



Mixing valve



Diverting valve

FAILURE POSITION DEPENDING ON VALVE DUTY

Mixing valve		Diverting valve	
Direct action actuator (a)	Reverse action actuator (b)	Direct action actuator (a)	Reverse action actuator (b)
Port A to AB closes	Port B to AB closes	Port AB to B closes	Port AB to A closes

- a) Retracted stem on air failure.
- b) Extended stem on air failure.

VALVE STROKE (mm)

	SIZES					
	DN 15	DN 20	DN 25	DN 32	DN 40	DN 50
STROKE	20					

FLOW RATE COEFFICIENTS

	SIZES					
	DN 15	DN 20	DN 25	DN 32	DN 40	DN 50
Kvs	4	6,3	10	16	25	40

Kvs in m³/h, see IS PV10.00 E – Technical information.

For conversion Kvs = Cv (US) x 0,855.

MAX. PERM. PRESSURE DROP (bar) – N.C. (fluid to open) – Reverse action actuator (air signal to open)

ACTUATOR	CONTROL SIGNAL	SIZES					
		DN 15	DN 20	DN 25	DN 32	DN 40	DN 50
PA205	0,2 ÷ 1 bar	6	6	5	–	–	–
	0,4 ÷ 1,2 bar	10	10	7	–	–	–
	0,4 ÷ 2 bar	12	12	9	–	–	–
PA280	0,2 ÷ 1 bar	28	26	16	8	6	3,5
	0,4 ÷ 1,2 bar	40	38	20	12	10	5
	0,4 ÷ 2 bar	50	45	25	16	12	6,5
PA340A	0,2 ÷ 1 bar	60	60	50	20	12	10
	0,4 ÷ 1,2 bar	80	80	60	30	16	13
	0,4 ÷ 2 bar	100	100	80	40	20	18
PA340B	0,2 ÷ 1 bar	–	–	–	–	–	–
	0,4 ÷ 1,2 bar	–	–	–	–	–	–
	0,4 ÷ 2 bar	–	–	–	–	–	–
PA435A	0,2 ÷ 1 bar	–	–	–	–	40	25
	0,4 ÷ 1,2 bar	–	–	–	–	48	30
	0,4 ÷ 2 bar	–	–	–	–	55	45

The pressure drop values refer to closed valves. They have been verified by a control signal coming from an electro-pneumatic converter with an enduring minimum signal of 0,2 bar.

The actuator pressure drops given with closed valve for the actuator signal 0,4 - 2 bar are also valid for on/off service with air supply at 2,4 bar.

Special spring drops available on request.

The pressure drop values must be used within the body rating limits.

For electric actuator selection please consult catalogue IS EL.20.00 E or our technical department.