

**PNEUMATIC CONTROL VALVES
 PNEUMATIC ANGLE TYPE INTERCEPTION VALVE
 PAV21**

DESCRIPTION

The PAV series angle seat interception valves are designed for use with steam, gases and other fluids used in the process industry. They are the efficient solution to fluid interception in applications where flexibility and affordable cost are required.

MAIN FEATURES

- Stainless steel body with high coefficient of flow.
- Resistance to corrosion.
- Low air consumption.
- Nylon rotational servo control.
- Self-centering plug with soft sealing.
- Live loading packing gland.



OPTIONS AND

ACCESSORIES: Pilot solenoid valves.
 Inductive travel switch.

USE: Saturated steam, water and other fluids compatible with the construction.

AVAILABLE MODELS: PAV21 – pneumatic angle valve.

SIZES: 1/2" to 2".

CONNECTIONS: Female threaded ISO 7 Rp.

AVAILABLE ACTUATORS: PPI-63 (stainless steel).
 PPI-90 (stainless steel).

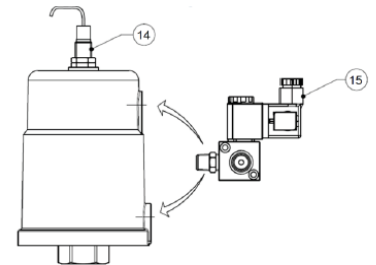
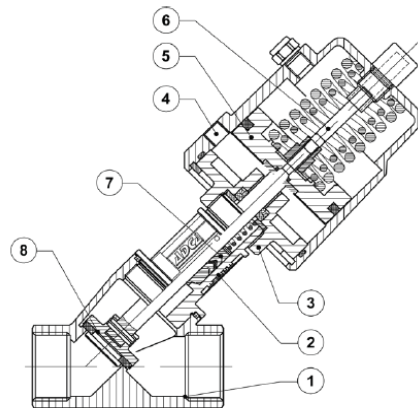
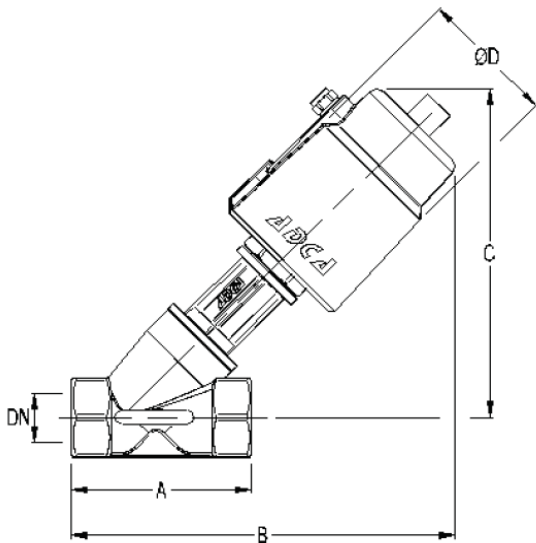
ACTUATORS CONNECTIONS: PPI-63: 1/8" NPT.
 PPI-90: 1/4" NPT.

AIR SUPPLY PRESURE: 5 – 8 bar (max. 8 bar).

AMBIENT TEMP.: -20 °C to 70 °C.

CE MARKING – GROUP 2 (PED – European Directive)	
PN 16	Category
1/2" to 2"	SEP

LIMITING CONDITIONS	
Valve model	PAV21
Body design conditions	PN 16
Max. working temperature	200 °C
Min. working temperature	- 10 °C



DIMENSIONS (mm)								
SIZE	A	B	W/ PPI-63			WITH PPI-90		
			C	D	WGT. (kg)	C	D	WGT. (kg)
1/2"	68	174	155	75	1,35	155	110	2,4
3/4"	75	182	158	75	1,45	158	110	2,5
1"	90	190	166	75	1,65	166	110	2,7
1 1/4"	116	261	227	75	2,3	227	110	3,3
1 1/2"	116	265	229	75	2,55	229	110	3,5
2"	138	282	238	75	3,6	238	110	4,7

TRAVEL SWITCH

The travel switch provides an electrical signal that indicates either the open or closed position of the valve. This signal is given by a non-contact electronic inductive proximity sensor.

FLOW RATE COEFFICIENTS						
SIZE	1/2"	3/4"	1"	1 1/4"	1 1/2"	2"
Kvs	4,8	9,5	18	23,2	32,7	52,6

MAX. PERM. PRESSURE DROP (bar) – N.C. (fluid to open) – Reverse action actuator (air signal to open)

ACTUATOR	AIR SUPPLY	VALVE SIZE					
		1/2"	3/4"	1"	1 1/4"	1 1/2"	2"
PPI-63	5 – 8 bar	16	16	14	-	-	-
PPI-90	5 – 8 bar	-	-	-	16	16	10

Remark: waterhammer free design.

MAX. PERM. PRESSURE DROP (bar) – N.C. (fluid to close) – Reverse action actuator (air signal to open)

ACTUATOR	AIR SUPPLY	VALVE SIZE					
		1/2"	3/4"	1"	1 1/4"	1 1/2"	2"
PPI-63	5 – 8 bar	16	16	16	-	-	-
PPI-63	6 – 8 bar	16	16	16	-	-	-
PPI-63	7 – 8 bar	16	16	16	-	-	-
PPI-90	5 – 8 bar	-	-	-	16	-	-
PPI-90	6 – 8 bar	-	-	-	16	16	-
PPI-90	7 – 8 bar	-	-	-	16	16	16

Remark: not recommended when controlling liquids at high speed due to waterhammer occurrence

MATERIALS		
POS. N°	DESIGNATION	MATERIAL
1	Valve body	A351 CF8M / 1.4408
2	Bonnet	A351 CF8 / 1.4308
3	Actuator flange	A351 CF8 / 1.4308
4	Actuator cover	A351 CF8 / 1.4308
5	Piston	Aluminium
6	Indication stem	Plastic
7	* Packing	PTFE/GR
8	* Valve plug	AISI 316 / 1.4401; PTFE/GR
9	** Travel switch	Metal
10	** SV32C solenoid valve	Aluminium alloy

* Available spare parts.

** Optional.