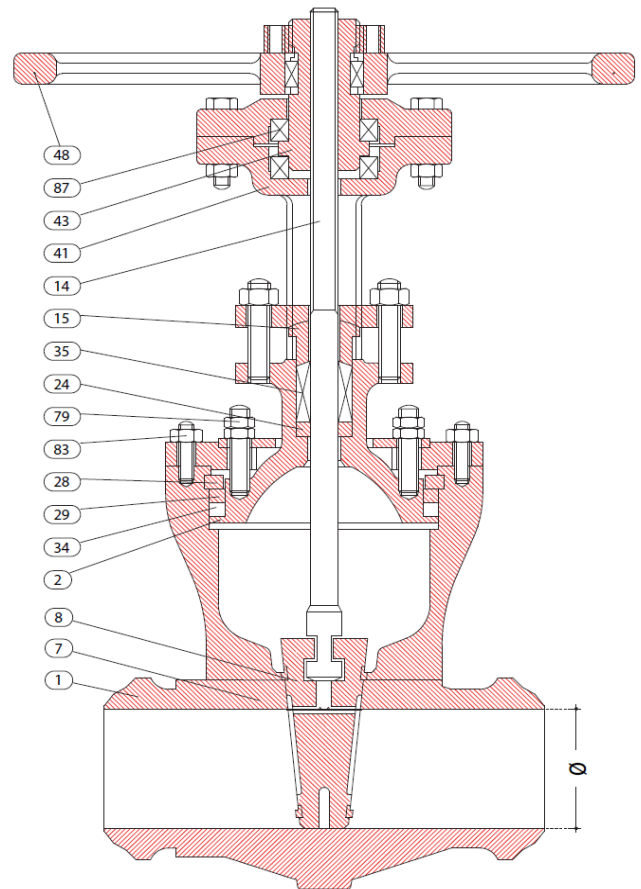
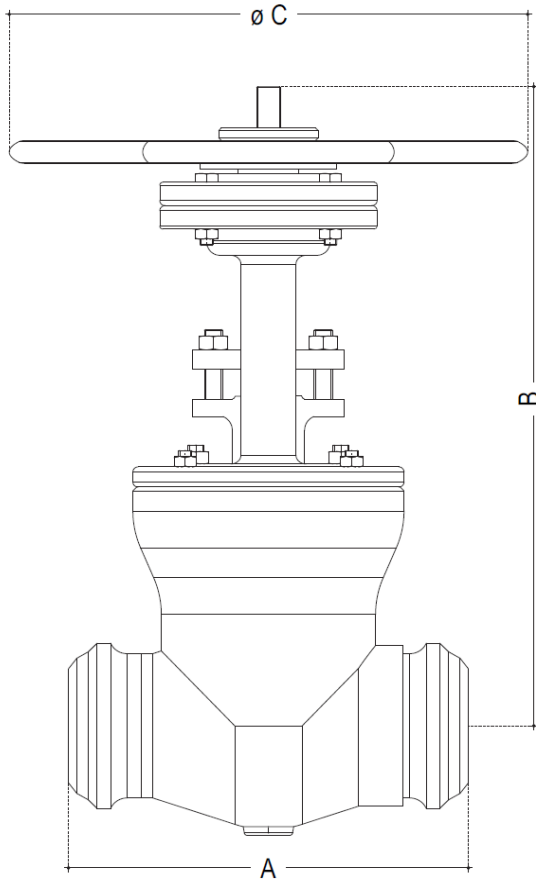


# Model GS73

LONG BODY GATE VALVES CLASS 900-1500 SE



## DETAILS

1	BODY
2	BONNET
7	SEAT RING
8	WEDGE
14	STEM
15	GLAND
24	ANTI EXTRUSION RING
28	SEGMENT RING
29	SUPPORT RING
34	PRESSURE SEAL RING
35	PACKING
41	YOKE
43	YOKE SLEEVE
48	HANDWHEEL
79	RET.ST/NT/LK.NT
83	YOKE ST./NT
87	THRUST BEARING



DIMENSIONS CLASS 900 Bwe			
DN	A	B	Ø C
50	216	520	300
65	254	595	450
80	305	665	450
100	356	760	600
125	432	885	600
150	508	1070	#
200	660	1415	#
250	787	1525	#
300	914	1610	#

WEIGHT KG 900
40,00
55,00
65,00
87,00
140,00
250,00
415,00
610,00
860,00

TEST PRESSURE IN BAR			
CLASS	900	1500	2500
HYD SHELL	230	384	647
SEAT	169	282	474
AIR SEAT	6,9	6,9	6,9

• Bevel Gear Actuators Mandatory

DIMENSIONS CLASS 1500 Bwe			
DN	A	B	Ø C
50	216	520	300
65	254	595	450
80	305	650	600
100	406	760	#
125	483	910	#
150	559	1070	#
200	711	1475	#
250	863	1525	#
300	990	1610	#

WEIGHT KG 1500
40,00
55,00
76,00
106,00
190,00
262,00
558,00
889,00
1.580,00

DIMENSIONS CLASS 2500 Bwe			
DN	A	B	Ø C
50	279	450	450
65	330	520	600
80	368	575	#
100	457	685	#
125	533	820	#
150	610	990	#
200	762	1350	#
250	914	1706	#
300	991	2145	#

WEIGHT KG 2500
52,00
79,00
105,00
148,00
450,00
510,00
1.050,00
1.265,00
1.505,00

