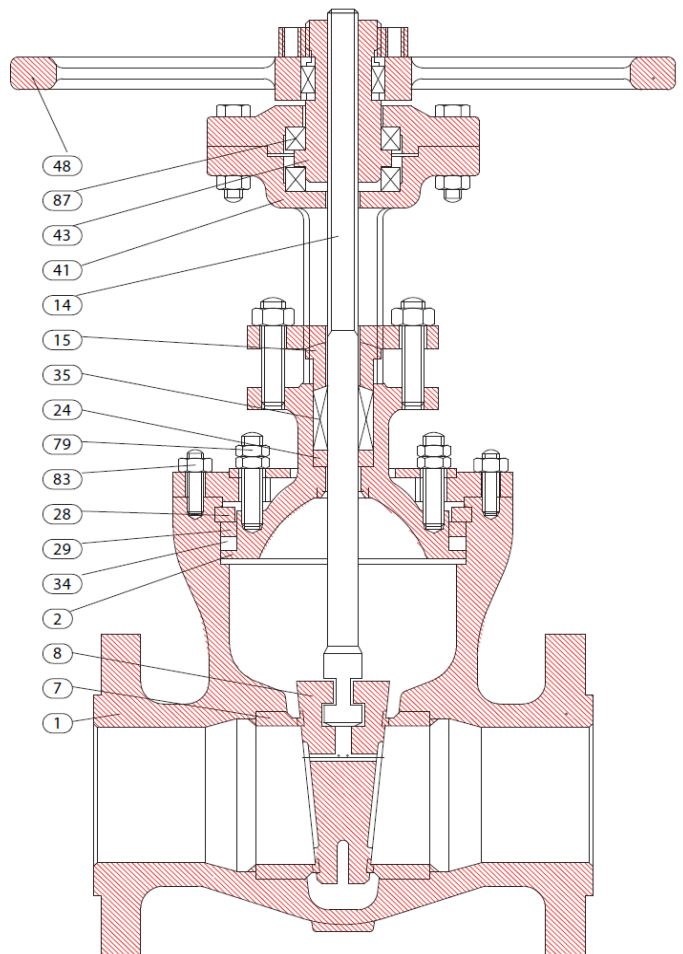
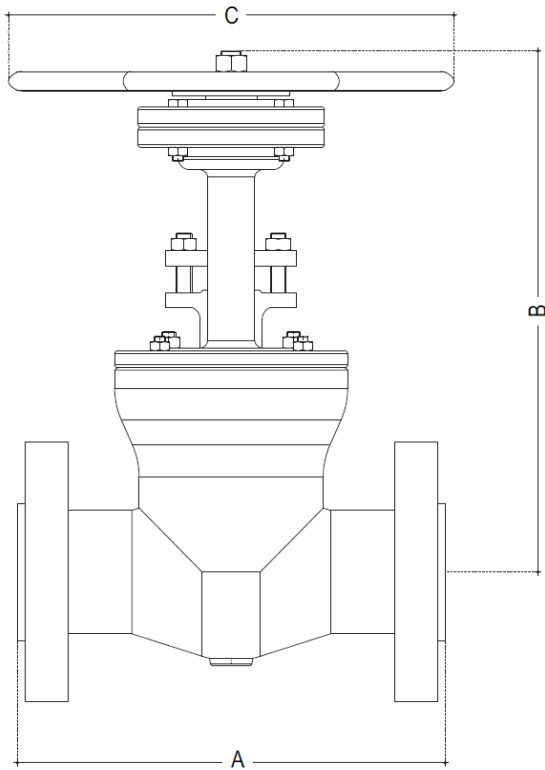


Model GS71

MANUAL LONG BODY GATE VALVES CLASS 900-1500



DETAILS

1	BODY
2	BONNET
7	SEAT RING
8	WEDGE
14	STEM
15	GLAND
24	ANTI EXTRUSION RING
28	SEGMENT RING
29	SUPPORT RING
34	PRESSURE SEAL RING
35	PACKING
41	YOKE
43	YOKE SLEEVE
48	HANDWHEEL
79	RET.ST/NT/LK.NT
83	YOKE ST./NT
87	THRUST BEARING



TEST PRESSURE IN BAR

CLASS	900	1500
HYD SHELL	230	384
SEAT/BACK SEAT	169	282
AIR SEAT	6.9	6.9

• Bevel Gear Actuators Mandatory

DIMENSIONS
CLASS 900 W-L

DN	A	B	Ø C
50	368	520	300
65	419	595	450
80	381	665	450
100	457	760	600
125	559	885	600
150	610	1070	#
200	737	1415	#
250	838	1525	#
300	965	1610	#

WEIGHT
KG
900 L

58,00
86,00
95,00
130,00
200,00
330,00
595,00
795,00
1.110,00

DIMENSIONS
CLASS 1500 L

DN	A	B	Ø C
50	368	520	300
65	419	595	450
80	470	650	600
100	546	760	#
125	673	910	#
150	705	1070	#
200	832	1475	#
250	991	1525	#
300	1130	1610	#

WEIGHT
KG
1500 L

58,00
86,00
115,00
171,00
285,00
440,00
875,00
1.325,00
2.525,00