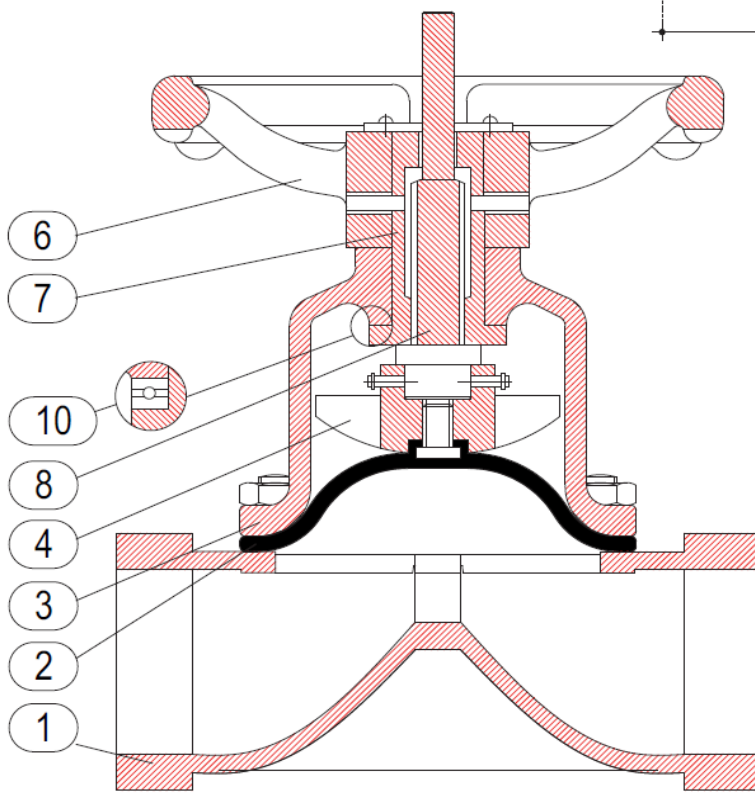
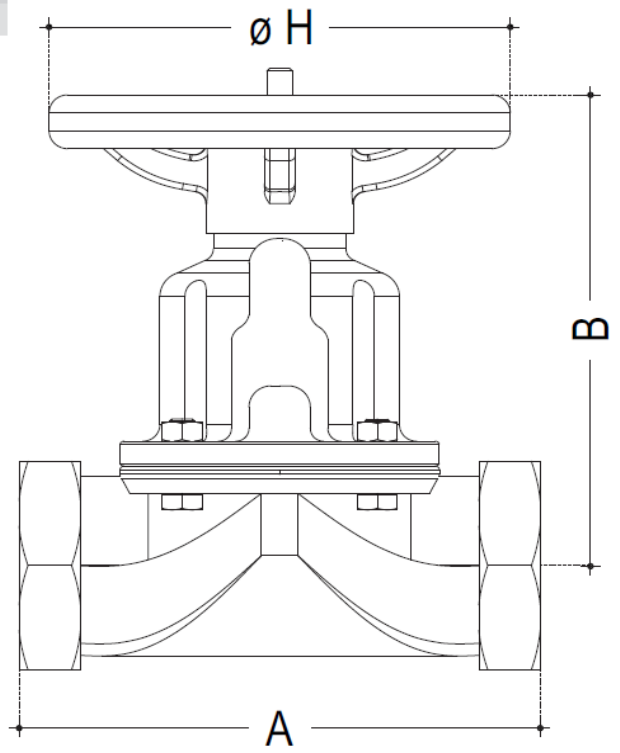


Model GS55 REG

DIAPHRAGM VALVES



DETAILS	
1	BODY
2	DIAPHRAGM
3	BONNET
4	COMPRESSOR
6	HANDWHEEL
7	STEM BUSHING
8	STEM
10	THRUST BEARING



TEST PRESSURE IN BAR	
PRESSURE RATING	PN10
HYD SHELL	15,75
SEAT	10
AIR SEAT	5,0

WEIGHT KG
0,90
1,80
3,00
3,20
3,50
6,50
10,00
21,00

DIMENSIONS			
DN	A	B	Ø H
15	64	90	70
20	83	90	70
25	108	112	100
32	121	112	100
40	140	112	100
50	165	146	140
65	203	177	180
80	254	205	225