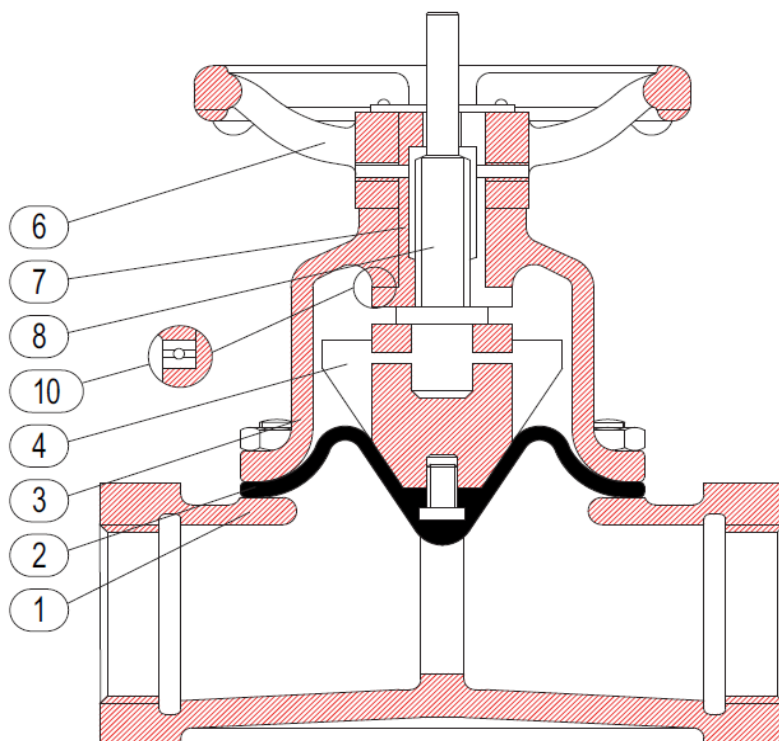
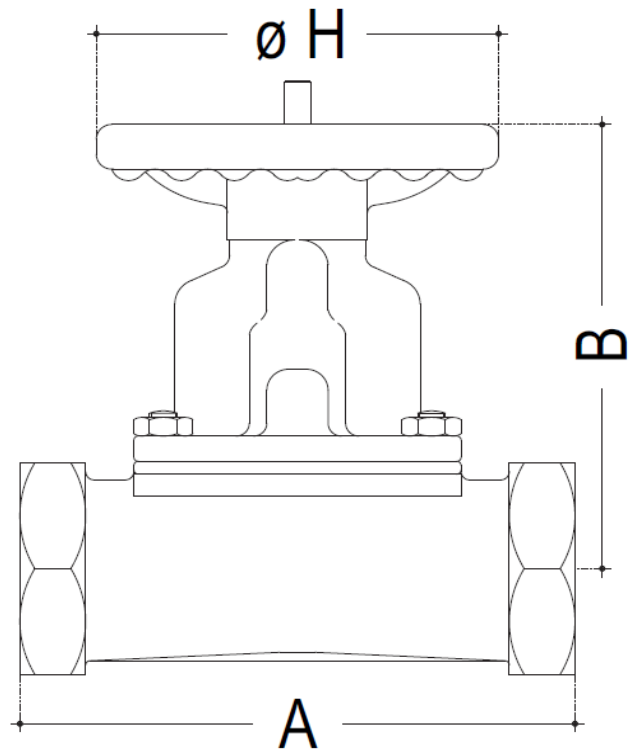


Model GS55FB REG

DIAPHRAGM VALVES



DETAILS

- | | |
|----|----------------|
| 1 | BODY |
| 2 | DIAPHRAGM |
| 3 | BONNET |
| 4 | COMPRESSOR |
| 6 | HANDWHEEL |
| 7 | STEM BUSHING |
| 8 | STEM |
| 10 | THRUST BEARING |



TEST PRESSURE IN BAR	
PRESSURE RATING	PN10
HYD SHELL	15,75
SEAT	10
AIR SEAT	5,0

WEIGHT KG
0,90
1,80
3,00
3,20
3,50
6,50
10,00
21,00

DIMENSIONS			
DN	A	B	Ø H
15	64	90	70
20	83	90	70
25	108	112	100
32	121	112	100
40	140	112	100
50	165	146	140
65	203	177	180
80	254	205	225

