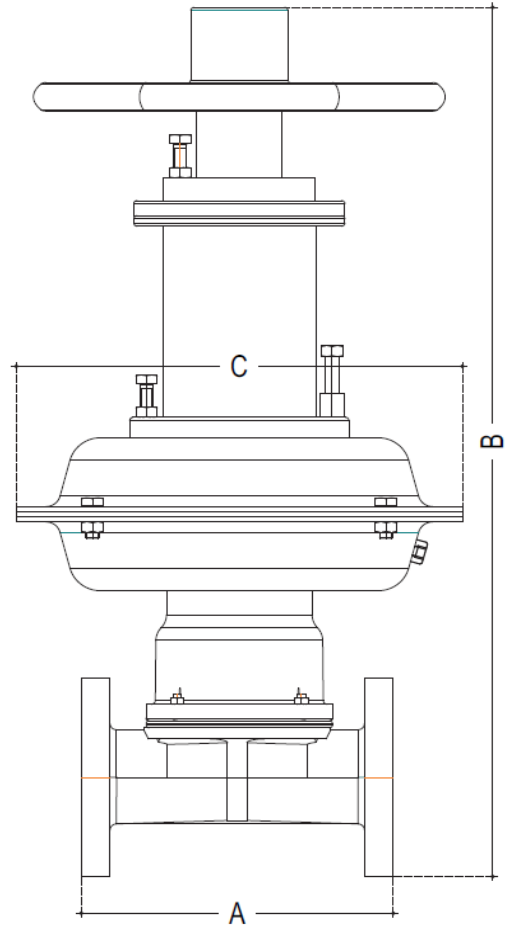
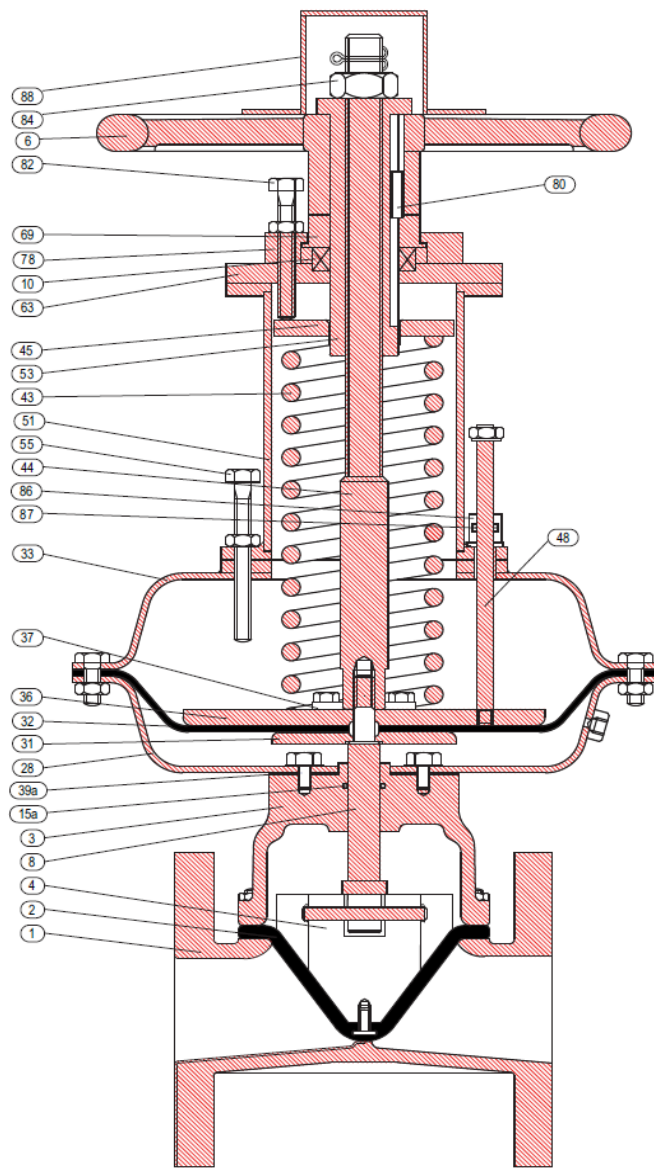


Model GS54FB REG

DIAPHRAGM VALVES





DETAILS

- 1 BODY
- 2 DIAPHRAGM
- 3 BONNET
- 4 COMPRESSOR
- 6 HANDWHEEL
- 8 STEM
- 10 BEARING
- 15A O RING
- 28 BOTTOM CHAMBER
- 31 BOTTOM SUPPORT PLATE
- 32 AIR DIAPHRAGM
- 33 TOP CHAMBER
- 36 TOP SUPPORT PLATE
- 37 LOCKING WASHER
- 39A GASKET
- 43 SPRING
- 44 STEM EXTENSION
- 45 SPRING PLATE
- 48 POSITION INDICATOR
- 51 SPRING CHAMBER
- 53 SLEEVE
- 55 LIMIT OPENING BOLT OR SCREW
- 63 TOP COVER
- 69 HAND WHEEL ADAPTER
- 78 HOUSING
- 80 KEY
- 82 SPRING COMP ADJUSTMENT SCREW
- 84 HEX.NUT
- 86 INDICATOR BUSH
- 87 O RING (FOR INDICATOR BUSH)
- 88 SLEEVE COVER

PRESSURE RATING

refer technical data

Unlined

dn	15	20	25	40	50	65	80	100	125	150	200	250
ACT.Model	C		B									
BA 1002/12	170	395	400	410	410							
BA 2003/04/34	255		495	500	545	560						
BA 3004/34	338				585	600	625					
BA 3006/56	338					715	740	775				
BA 6007/57/67	415					785	810	840				
BA7057/67/AB	462						855	885	1010	1020		
BA 80AB	570							940	1060	1070	1160	
BA80CD/89	570							1115	1235	1245	1340	
	A											
	108	117	127	159	190	216	254	305	356	406	521	

Lined

dn	15	20	25	40	50	65	80	100	125	150	200	250
ACT.Model	C		B									
BA 1002/12	170	395	400	410	410							
BA 2003/04/34	255		495	500	545	560						
BA 3004/34	338				585	600	625					
BA 3006/56	338					715	740	775				
BA 6007/57/67	415					785	810	840				
BA7057/67/AB	462						855	885	1010	1020		
BA 80AB	570							940	1060	1070	1160	
BA80CD/89	570							1115	1235	1245	1340	
	A											
	114	123	133	165	196	222	260	313	364	414	529	

