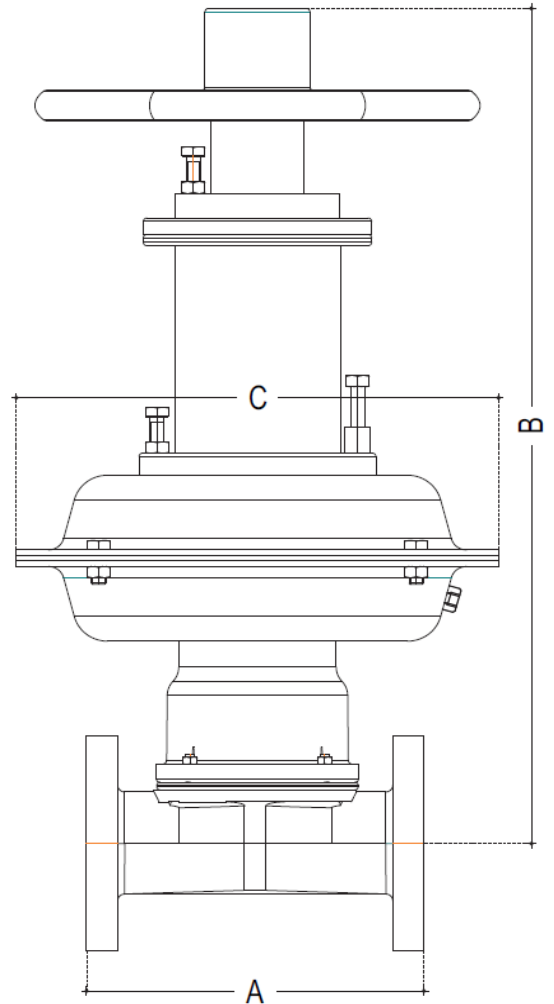
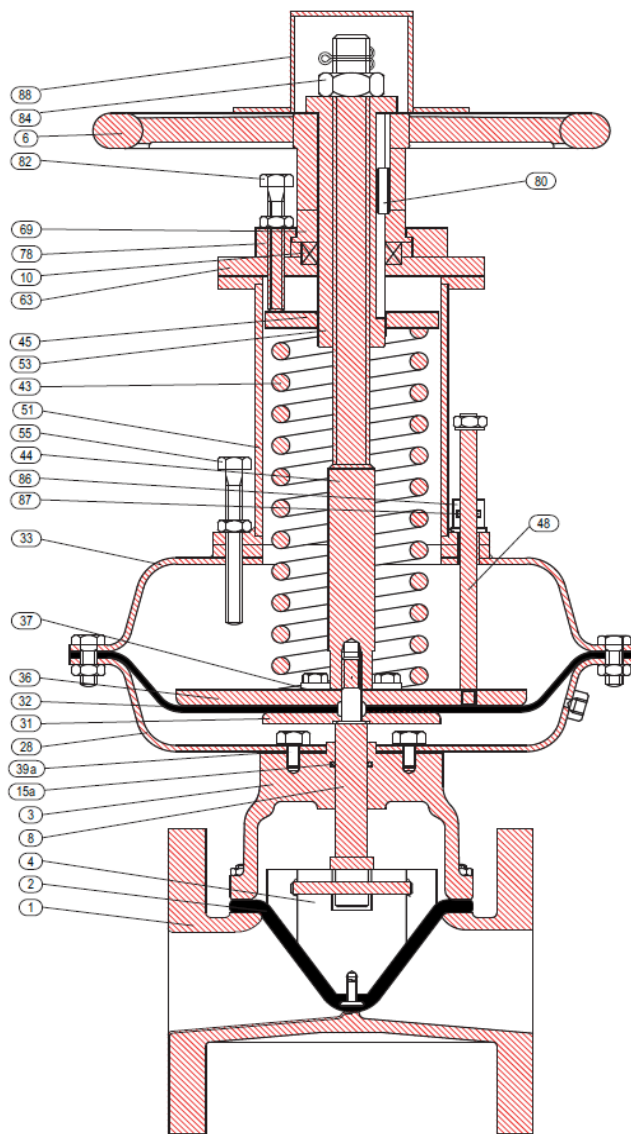


Model GS54FB DIN REG

DIAPHRAGM VALVES





DETAILS

1	BODY
2	DIAPHRAGM
3	BONNET
4	COMPRESSOR
6	HANDWHEEL
8	STEM
10	BEARING
15A	O RING
28	BOTTOM CHAMBER
31	BOTTOM SUPPORT PLATE
32	AIR DIAPHRAGM
33	TOP CHAMBER
36	TOP SUPPORT PLATE
37	LOCKING WASHER
39A	GASKET
43	SPRING
44	STEM EXTENSION
45	SPRING PLATE
48	POSITION INDICATOR
51	SPRING CHAMBER
53	SLEEVE
55	LIMIT OPENING BOLT OR SCREW
63	TOP COVER
69	HAND WHEEL ADAPTER
78	HOUSING
80	KEY
82	SPRING COMP ADJUSTMENT SCREW
84	HEX.NUT
86	INDICATOR BUSH
87	O RING (FOR INDICATOR BUSH)
88	SLEEVE COVER

PRESSURE RATING

refer technical data

Unlined/Lined

dn	15	20	25	40	50	65	80	100	125	150	200	250
ACT.Model	C	← B →										
BA 1002/12	170	395	400	410	410							
BA 2003/04/34	255			495	500	545	560					
BA 3004/34	338					585	600	625				
BA 3006/56	338						715	740	775			
BA 6007/57/67	415						785	810	840			
BA7057/67/AB	462							855	885	1010	1020	
BA 80AB	570								940	1060	1070	1160
BA80CD/89	570								1115	1235	1245	1340
	← A →											
	130	150	160	200	230	290	310	350	400	480	600	

