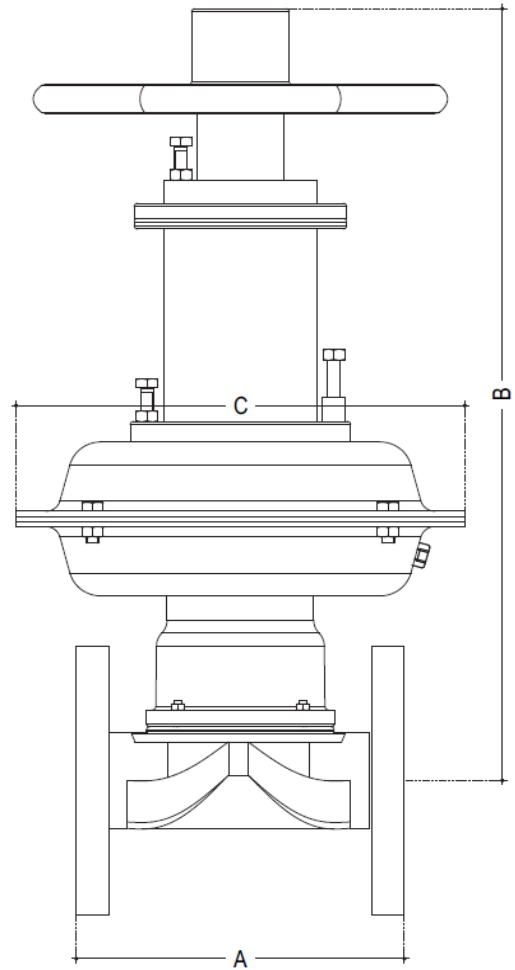
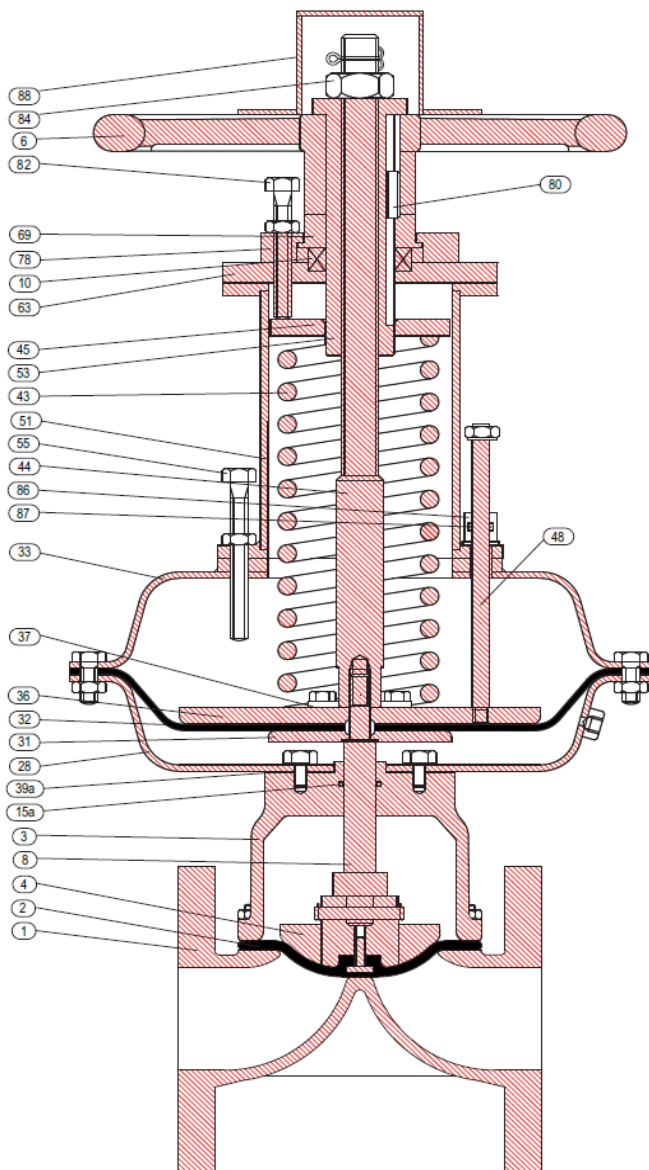


Model GS54 DIN REG

DIAPHRAGM VALVES





DETAILS

1	BODY
2	DIAPHRAGM
3	BONNET
4	COMPRESSOR
6	HANDWHEEL
8	STEM
10	BEARING
15A	O RING
28	BOTTOM CHAMBER
31	BOTTOM SUPPORT PLATE
32	AIR DIAPHRAGM
33	TOP CHAMBER
36	TOP SUPPORT PLATE
37	LOCKING WASHER
39A	GASKET
43	SPRING
44	STEM EXTENSION
45	SPRING PLATE
48	PSITION INDICATOR
51	SPRING CHAMBER
53	SLEEVE
55	LIMIT OPENING BOLT OR SCREW
63	TOP COVER
69	HAND WHEEL ADAPTER
78	HOUSING
80	KEY
82	SPRING COMP ADJUSTMENT SCREW
84	HEX.NUT
86	INDICATOR BUSH
87	O RING (FOR INDICATOR BUSH)
88	SLEEVE COVER

PRESSURE RATING

refer technical data

Unlined/Lined

dn	15	20	25	40	50	65	80	100	125	150	200	250
ACT.Model	C		B									
BA 1002/12	170	395	405	415	445	470						
BA 2003/04/34	255			495	525	550	570	600	655			
BA 3004/34	338			535	565	590	615	645	700			
BA 3006/56	338			650	680	710	730	760	790	840	900	
BA 6007/56/57/67/6B/AB	415						795	825	855	910	965	1070
BA 7007/57/67/6B/AB	462						850	870	900	950	1010	1110
BA 806B/AB	570							955	1005	1065	1165	
BA8009/CD	570							1130	1180	1240	1340	1375
	A											
	130	150	160	200	230	290	310	350	400	480	600	730

