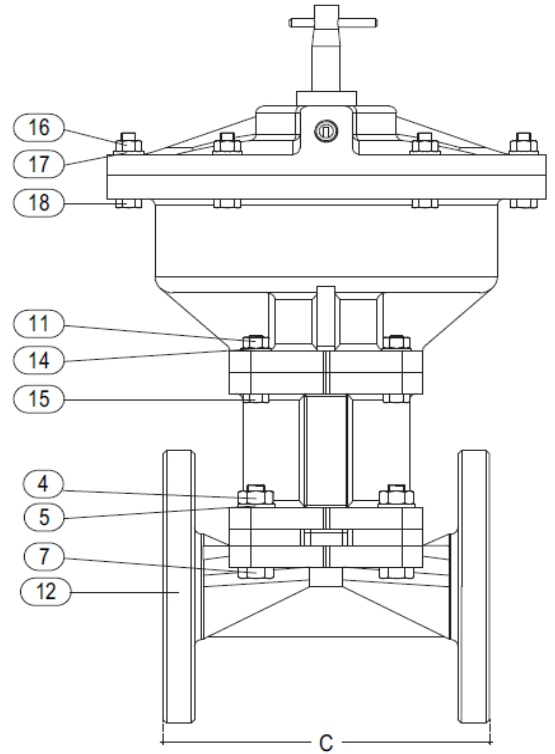
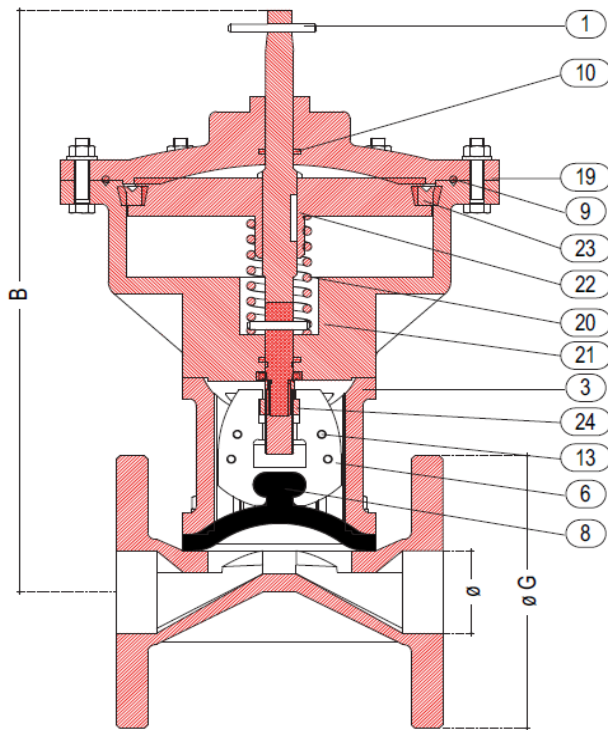


Model GS52 HW

DIAPHRAGM VALVES



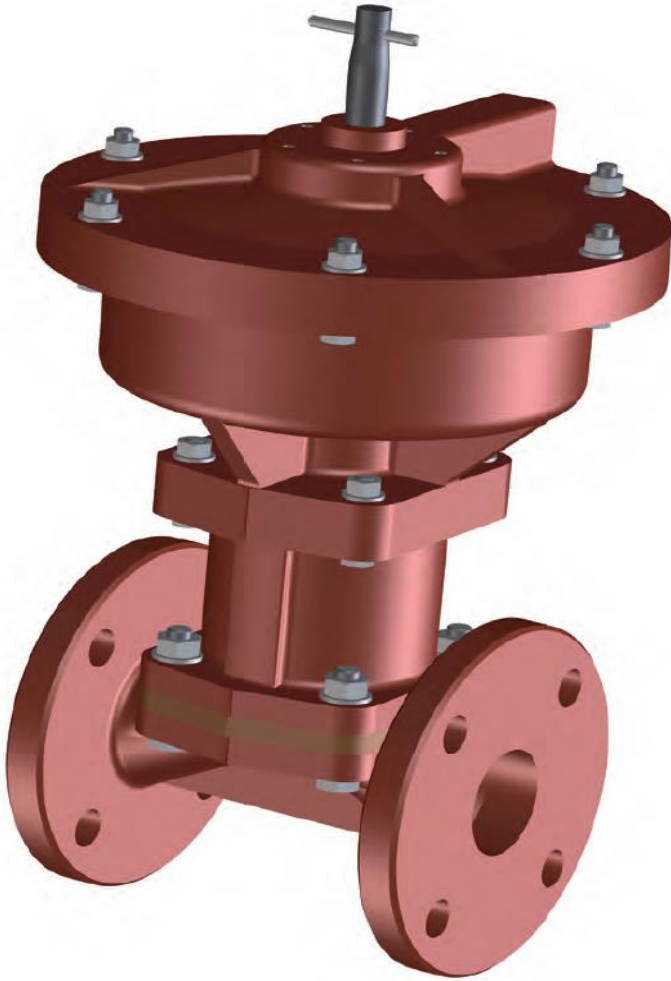
DETAILS

- | | |
|----|---------------------------------|
| 1 | SOCKET |
| 3 | SUPPORT |
| 4 | HEXAGON NUT |
| 5 | WASHER |
| 6 | PLUG |
| 7 | HEXAGON BOLT,
STUD BOLT |
| 8 | DIAPHRAGM |
| 9 | GASKET |
| 10 | "V"GASKET |
| 11 | HEXAGON NUT |
| 12 | VALVE BODY |
| 13 | CLAMPING |
| 14 | WASHER |
| 15 | HEXAGON BOLT |
| 16 | HEXAGON NUT |
| 17 | WASHER |
| 18 | HEXAGON BOLT |
| 19 | COVER |
| 20 | SPRINGS |
| 21 | CYLINDER |
| 22 | PISTON, DRIVE PIN,
GUIDE PIN |
| 23 | "V"GASKET |
| 24 | BRONZE NUT |

PRESSURE DETAILS UNI_1284

DN	P.N.	HYDRAULIC TEST kg/cm ²		WORKING PRESSURE kg/cm ²
		OPEN	CLOSE	
20	5	15	5	4
25	5	15	5	4
30	5	15	5	4
40	5	15	5	4
50	4,5	15	4,5	3,5
60	4,5	15	4,5	3,5
75	4,5	15	4,5	3,5
100	4,5	15	4,5	3,5
125	4	13	4	3
150	4	13	4	3
200	3	13	3	2
250	3	13	3	2

NOTE: For different pressure details please ask the DPT



WEIGHT KG	
C.I. unlined	C.I. ebonite lined
6,400	7,300
7,000	7,800
9,500	10,000
11,500	12,000
16,000	17,000
23,000	24,000
30,000	30,000
45,000	46,000
65,000	67,000
86,000	88,000
174,000	176,000
240,000	246,000

DIMENSIONS C.I. UNLINED				
Ø	B	C	G (UNI)	G (ASA)
20	230	117	105	98
25	230	127	115	108
30	280	146	140	118
40	330	159	150	127
50	350	190	165	152
60	410	217	185	178
75	450	254	200	190
100	540	305	220	229
125	665	356	250	254
150	710	406	285	280
200	950	520	340	343
250	1180	635	395	406

DIMENSIONS C.I. EBONITE LINED				
Ø	B	C	G (UNI)	G (ASA)
20	230	123	105	98
25	230	133	115	108
30	280	152	140	118
40	330	165	150	127
50	350	196	165	152
60	410	227	185	178
75	450	260	200	190
100	540	313	220	229
125	665	364	250	254
150	710	414	285	280
200	950	530	340	343
250	1180	645	395	406