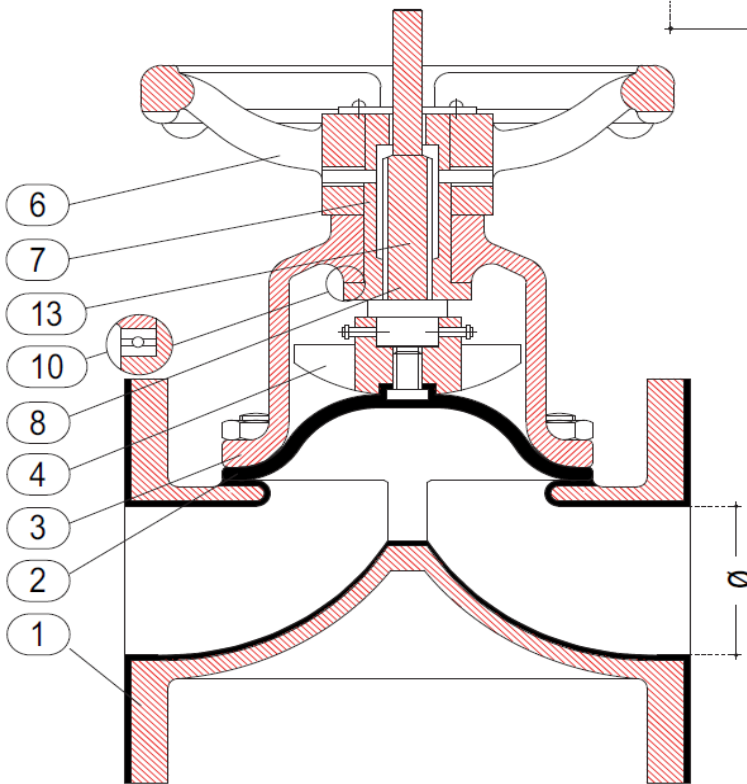
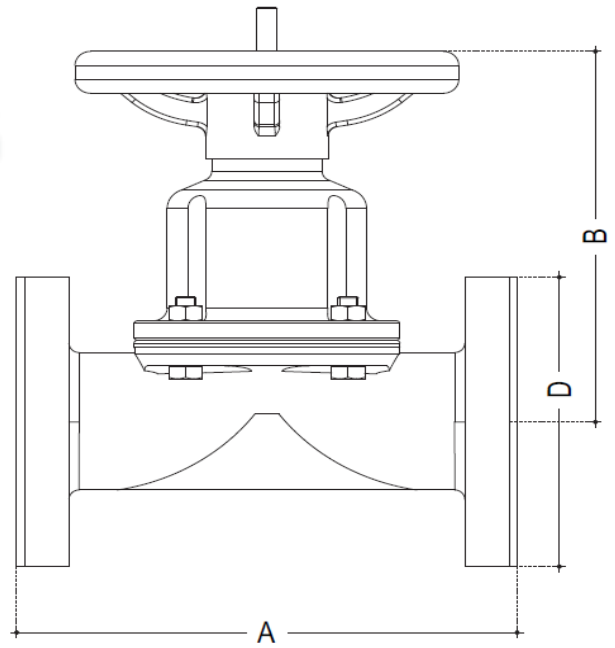


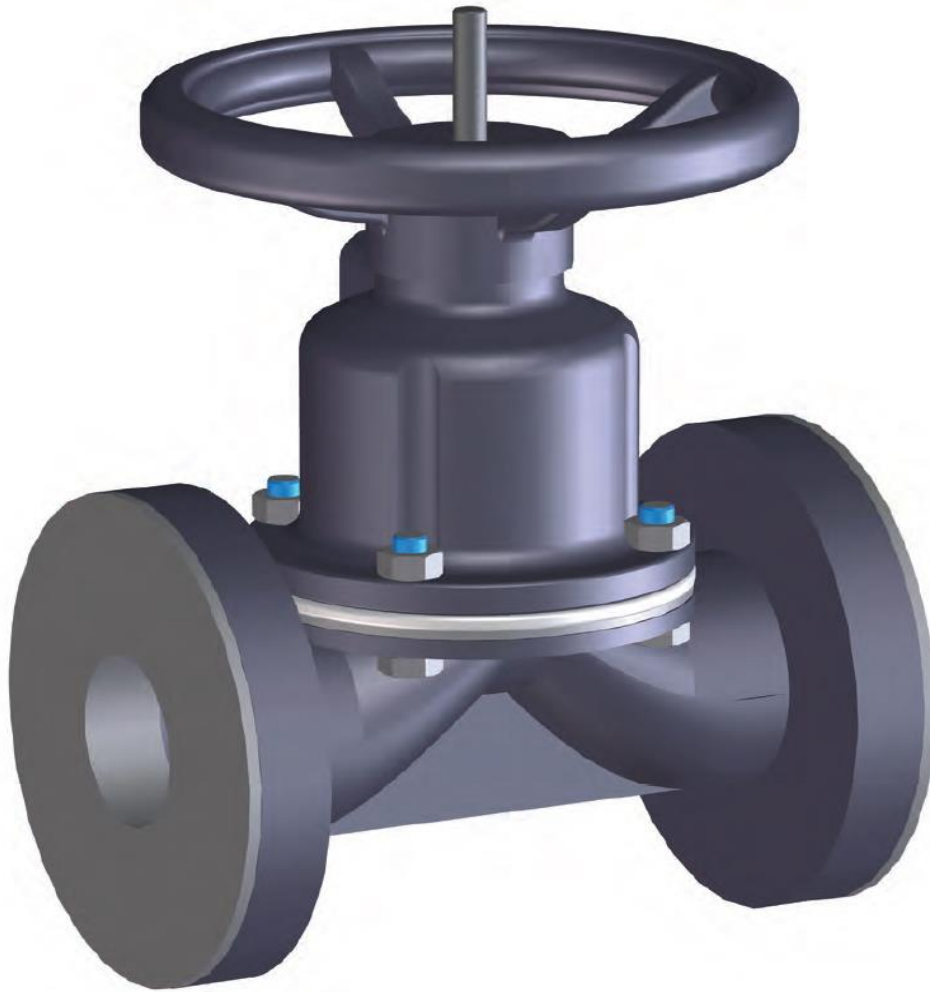
# Model GS51 REG

## DIAPHRAGM VALVES



DETAILS	
1	BODY
2	DIAPHRAGM
3	BONNET
4	COMPRESSOR
6	HANDWHEEL
7	STEM BUSHING
8	STEM
10	THRUST BEARING
13	LUBRICATION FITTING

WEIGHT KG	
C.I. unlined	C.I. ebonite lined
2,400	2,400
2,800	2,800
4,200	4,200
4,500	4,500
5,500	5,500
10,000	10,000
15,000	15,000
25,000	25,000
32,000	32,000
55,000	55,000
85,000	85,000
144,000	144,000
188,000	188,000
330,000	330,000



TEST PRESSURE IN BAR				
PRESSURE RATING	PN16	PN10	PN7	PN5
HYD SHELL	24	15	10,5	9
SEAT	16	10	7	6
AIR SEAT	5,0	5,0	5,0	5,0

\* pressure rating: for size 15 to 50 mm 16 bar, for size 65 to 150 mm 10 bar, for size 200mm 7 bar

DIMENSIONS C.I. UNLINED			
Ø	A	B	D
15	108	89	95
20	117	97	105
25	127	111	115
30	146	112	133
40	159	150	150
50	190	157	165
60	216	177	185
75	254	230	200
100	305	252	229
125	356	302	254
150	406	364	285
200	521	475	343
250	635	580	406
300	749	684	483
350	749	825	533

DIMENSIONS C.I. EBONITE LINED			
Ø	A	B	D
15	114	92	95
20	123	100	105
25	133	114	115
30	152	115	133
40	165	153	150
50	196	160	165
60	222	180	185
75	260	233	200
100	313	256	229
125	364	306	254
150	414	368	285
200	529	479	343
250	645	585	406
300	759	689	483
350	759	830	533