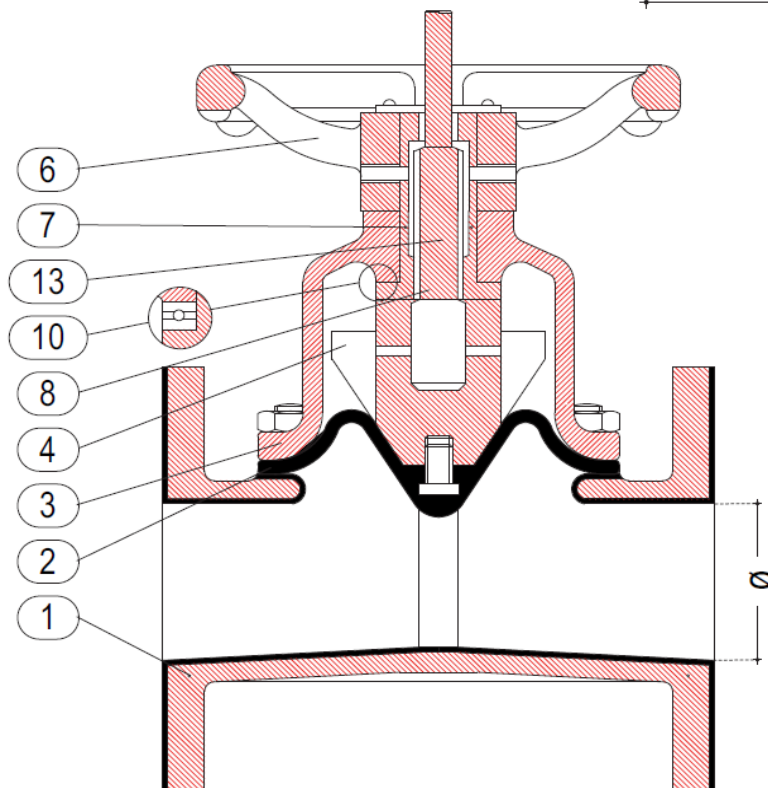
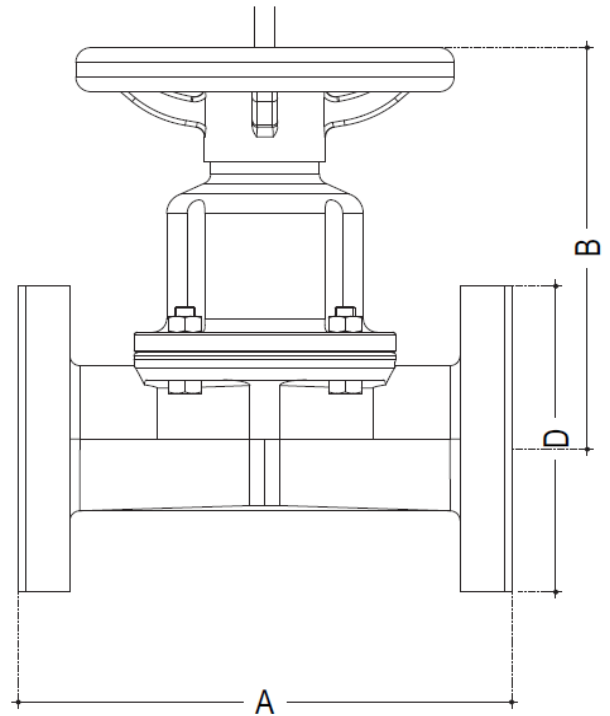


Model GS51FB REG

DIAPHRAGM VALVES



DETAILS

1	BODY
2	DIAPHRAGM
3	BONNET
4	COMPRESSOR
6	HANDWHEEL
7	STEM BUSHING
8	STEM
10	THRUST BEARING
13	LUBRICATION FITTING



TEST PRESSURE IN BAR			
PRESSURE RATING	PN10	PN7	PN5
HYD SHELL	15	10,5	6
SEAT	10	7	5
AIR SEAT	5,0	5,0	5,0

* pressure rating: for size 15 to 100 mm 10 bar, for size 125 7 bar, for size 150mm to 300 mm 5 bar

DIMENSIONS C.I. UNLINED			
Ø	A	B	D
15	108	87	95
20	117	87	105
25	127	109	115
30	146	109	133
40	159	109	150
50	190	143	165
65	216	174	185
80	254	202	200
100	305	240	229
125	356	268	254
150	406	429	285
200	521	416	343
250	635	540	406
300	749	635	483

DIMENSIONS C.I. EBONITE LINED			
Ø	A	B	D
15	114	90	95
20	123	90	105
25	133	112	115
30	152	112	140
40	165	112	150
50	196	146	165
65	222	177	185
80	260	205	200
100	313	244	229
125	364	272	254
150	414	433	285
200	529	420	343
250	645	545	406
300	759	640	483