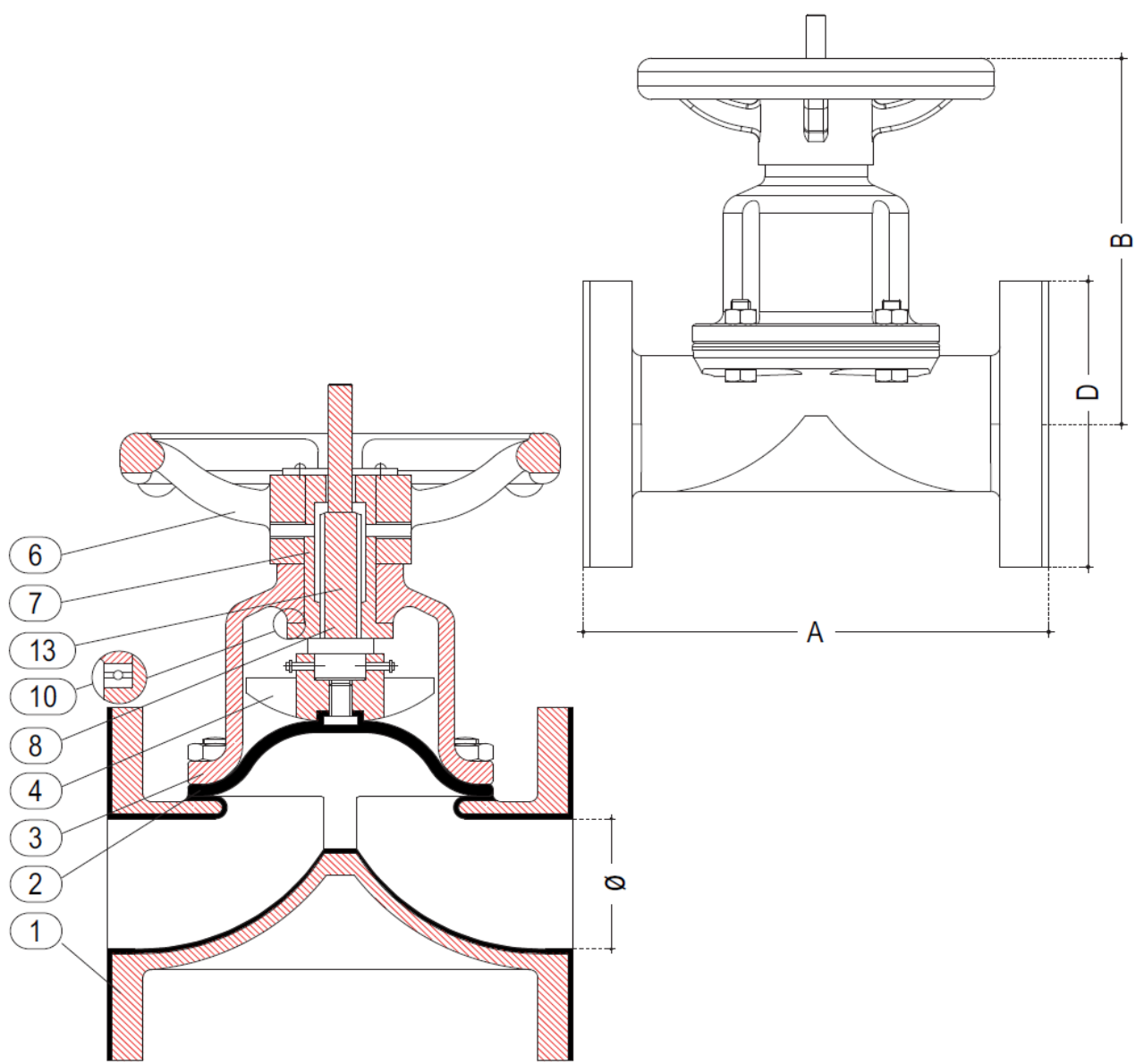


# Model GS51 DIN REG

## DIAPHRAGM VALVE



DETAILS	
1	BODY
2	DIAPHRAGM
3	BONNET
4	COMPRESSOR
6	HANDWHEEL
7	STEM BUSHING
8	STEM
10	THRUST BEARING
13	LUBRICATION FITTING

TEST PRESSURE IN BAR				
PRESSURE RATING	PN16	PN10	PN7	PN5
HYD SHELL	24	15	10,5	9
SEAT	16	10	7	6
AIR SEAT	5,0	5,0	5,0	5,0

\* pressure rating: for size 15 to 50 mm 16 bar, for size 65 to 150 mmm 10 bar, for size 200mm 7 bar



WEIGHT KG	
C.I. unlined	C.I. ebonite lined
2,800	2,800
3,200	3,200
4,200	4,200
5,500	5,500
8,000	8,000
15,000	15,000
19,000	19,000
26,000	26,000
42,000	42,000
68,000	68,000
106,000	106,000
185,000	185,000
275,000	275,000
480,000	480,000
550,000	550,000

DIMENSIONS C.I. UNLINED			
Ø	A	B	D
15	130	92	95
20	150	100	105
25	160	114	115
30	180	115	140
40	200	153	150
50	230	160	165
60	290	180	185
75	310	233	200
100	350	256	230
125	400	306	254
150	480	368	285
200	600	479	343
250	730	585	406
300	850	689	485
350	980	830	533

DIMENSIONS C.I. EBONITE LINED			
Ø	A	B	D
15	130	92	95
20	150	100	105
25	160	114	115
30	180	115	140
40	200	153	150
50	230	160	165
60	290	180	185
75	310	233	200
100	350	256	230
125	400	306	254
150	480	368	285
200	600	479	343
250	730	585	406
300	850	689	485
350	980	830	533