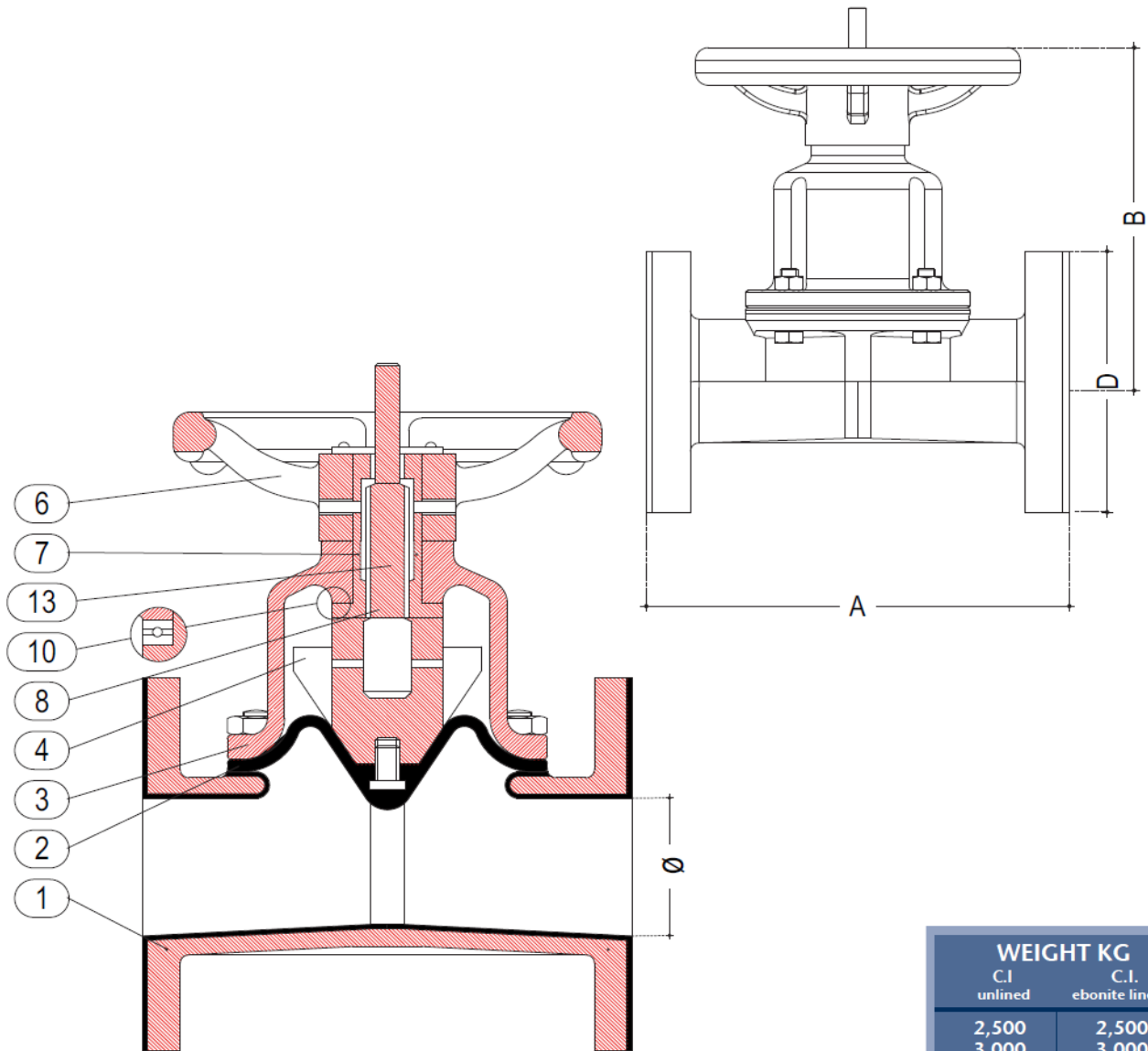


Model GS51FB DIN REG

DIAPHRAGM VALVES



DETAILS	
1	BODY
2	DIAPHRAGM
3	BONNET
4	COMPRESSOR
6	HANDWHEEL
7	STEM BUSHING
8	STEM
10	THRUST BEARING
13	LUBRICATION FITTING

WEIGHT KG		
	C.I. unlined	C.I. ebonite lined
	2,500	2,500
	3,000	3,000
	4,500	4,500
	5,500	5,500
	6,000	6,000
	10,500	10,500
	15,500	15,500
	26,000	26,000
	33,000	33,000
	57,000	57,000
	146,000	146,000
	192,000	192,000
	335,000	335,000



TEST PRESSURE IN BAR			
PRESSURE RATING	PN10	PN7	PN5
HYD SHELL	15	10,5	6
SEAT	10	7	5
AIR SEAT	5,0	5,0	5,0

* pressure rating: for size 15 to 100 mm 10 bar, for size 125 7 bar, for size 150mm to 300 mm 5 bar

DIMENSIONS C.I. UNLINED			
Ø	A	B	D
15	130	90	95
20	150	90	105
25	160	112	115
30	180	112	140
40	200	112	150
50	230	146	165
60	290	177	185
75	310	205	200
100	350	244	230
125	400	272	254
150	480	433	285
200	600	420	343
250	730	545	406
300	850	640	483

DIMENSIONS C.I. EBONITE LINED			
Ø	A	B	D
15	130	90	95
20	150	90	105
25	160	112	115
30	180	112	140
40	200	112	150
50	230	146	165
60	290	177	185
75	310	205	200
100	350	244	230
125	400	272	254
150	480	433	285
200	600	420	343
250	730	545	406
300	850	640	483