

Globe Valve bellows sealed with flanges

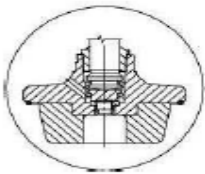
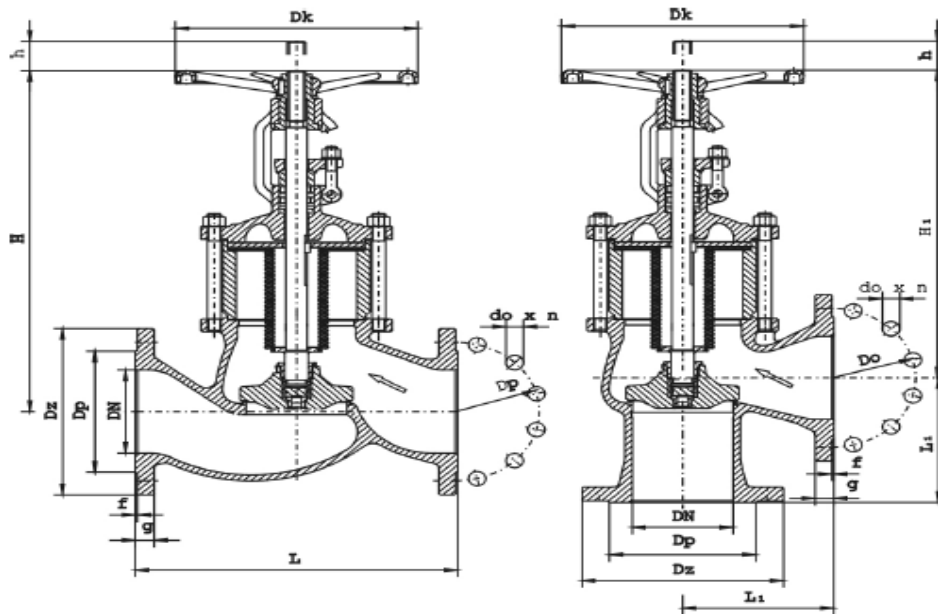
218M – Straight form

222M – Angle form

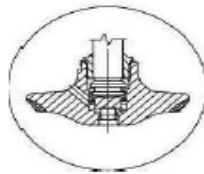
* 218/222 MT – for disc with PTFE sealing

* 218/222 AM – for stainless steel valves.

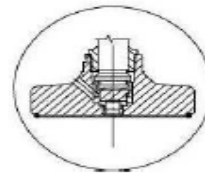
DN 125 – 300/NP 4,0 MPa/Tmax = 450 °C *



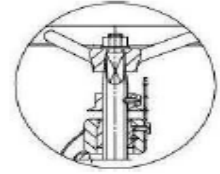
Regulating disc



Conical disc



Disc with PTFE sealing



Position indicator

Dimensions:

ND	Dz	Dp	D ₀	d ₀ x n	L	L ₁	f	g	H	H ₁	h	D _K	Weight	
													218M	222M
mm													kg	
125	270	188	220	26 x 8	400	200	2	26	570	524	37	320	78,0	80,0
150	300	218	250	26 x 8	480	225	2	28	610	554	50	360	110,0	99,0
200	375	285	320	30 x 12	600	275	2	34	670	610	50	400	205,0	181,0
250	450	345	385	33 x 12	730	325	2	38	780	730	75	500	350,0	330,0
300	515	410	450	33 X 16	850	-	2	42	1205	-	88	640	540,0	530,0

* for stainless steel valves (A) Tmax for material 1.4408: from -196°C up to +250°C

Globe Valve bellows sealed with flanges

218M – Straight form

222M – Angle form

* 218/222 MT – for disc with PTFE sealing

* 218/222 AM – for stainless steel valves.

DN 125 – 300/NP 4,0 MPa/Tmax = 450 °C *

Application:

Globe valves bellows sealed can be installed in any position on the pipeline, paying attention on correct flow direction of medium, that should be in accordance with marking on the body. They are destined for closing the medium flow, especially where the medium is dangerous for health and environment. Possible also to throttle the medium flow in execution with regulating disc.

Medium:

The valves are applicable for water, sea water, steam, oil and other non-aggressive fluids and gases with operating temp. from – 10 °C up to 450 °C.

Application range:

Nominal pressure PN [bar]	Maximum operating pressure at medium temperature (°C)						
	- 10 to 120 °C	200 °C	250 °C	300 °C	350 °C	400 °C	450 °C
GP240GH	40	35	32	28	24	21	13
GX5CrNiMo19-11-2	40	26	24				

Detailed informations can be found on the graph "Fitting's permissible working parameters for applied materials" (layout p/t) in part IV of the catalogue.

Materials:

Description	Material		
	standard	with PTFE sealing (Tmax 200°C)	stainless steel (Tmax 250°C)
Body	GP240GH	GP240GH	GX5CrNiMo19-11-2
Body seat	18-8 Cr-Ni	18-8 Cr-Ni	GX5CrNiMo19-11-2
Bonnet	GP240GH	GP240GH	GX5CrNiMo19-11-2
Stem	X30Cr13	X17CrNi16-2	X6CrNiTi18-10
Disc seat	18-8 Cr-Ni	PTFE	18-8 Cr-Ni
Bellows	18-8 Cr-Ni	18-8 Cr-Ni	18-8 Cr-Ni
Packing	Graphite	Graphite/PTFE	Graphite

Remarks:

1. Standard flanges: with raised face "B1", drilled acc. to PN-EN 1092-1:2004. On request – the other type of raised face acc. to PN-EN 1092-1:2004, ANSI, BS, DIN or according to individual request of the customer.
2. We produce the valves with flanges designed for NP (0,6 – 2,5) [MPa].
3. Tests and requirements of valves acc. to PN-EN 12266-1:2003.
4. Tightness class – A acc. to PN-EN 12266-1:2003.
5. Face to face dimension acc. to PN-EN 558-1:2001.
6. Quality certificate, depends on customer request – acc. to PN-EN 10204:2005.