

Globe Valve bellows sealed with flanges

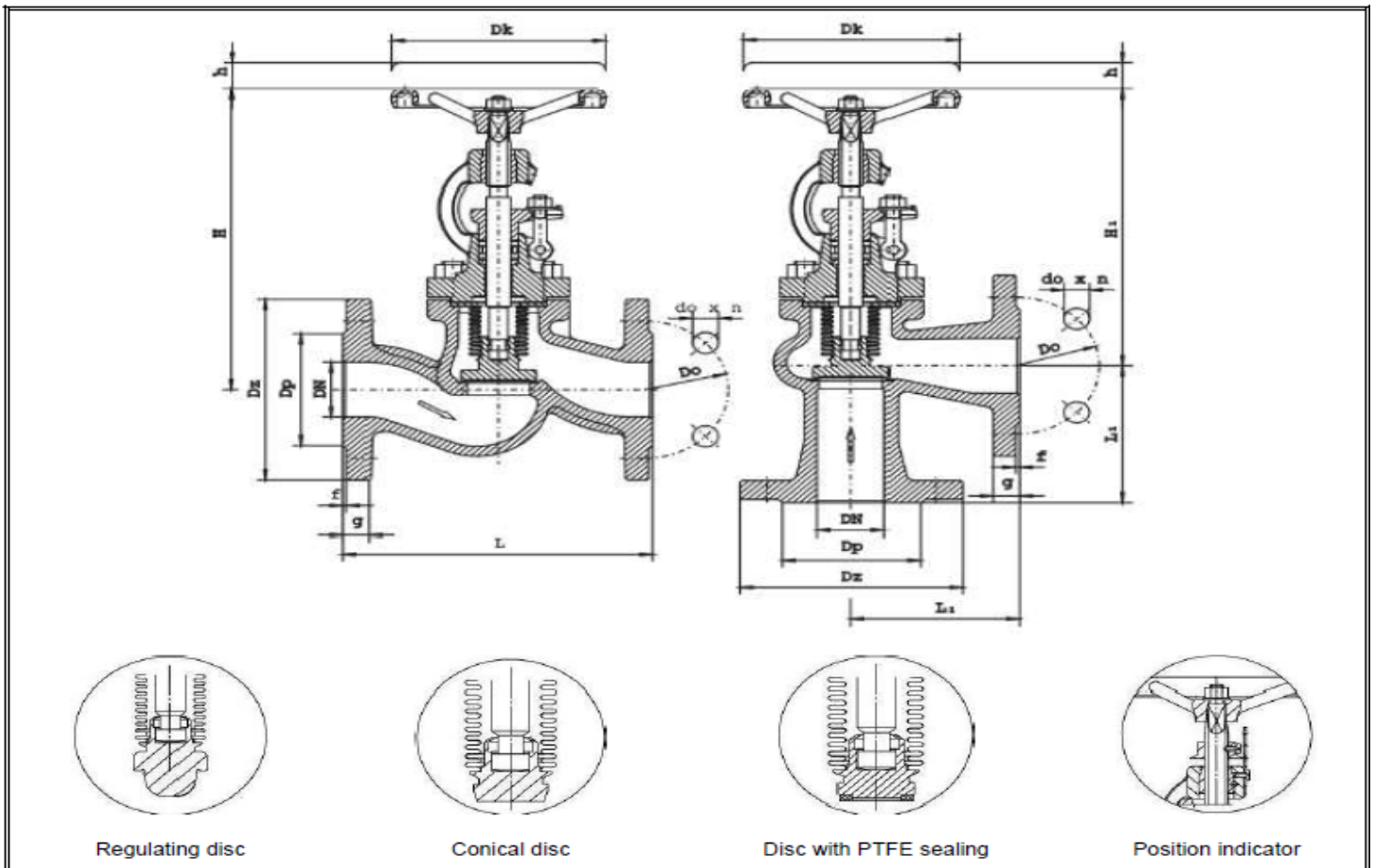
218M – Straight form

222M – Angle form

* 218/222 MT – for disc with PTFE sealing

* 218/222 AM – for stainless steel valves.

DN 32 – 100/NP 4,0 MPa/Tmax = 450 °C *



Dimensions:

| ND | Dz | Dp | D0 | do x n | L | L1 | f | g | H | H1 | h | Dk | Weight | |
|-----|-----|-----|-----|--------|-----|-----|---|----|-----|-----|----|-----|-----------|-----------|
| | | | | | | | | | | | | | fig. 218M | fig. 222M |
| mm | | | | | | | | | | | | | kg | |
| 32 | 140 | 78 | 100 | 18 x 4 | 180 | 105 | 2 | 18 | 260 | 240 | 10 | 160 | 11,0 | 10,6 |
| 40 | 150 | 88 | 110 | 18 x 4 | 200 | 115 | 2 | 18 | 270 | 250 | 13 | 160 | 12,7 | 13,6 |
| 50 | 165 | 102 | 125 | 18 x 4 | 230 | 125 | 2 | 20 | 275 | 255 | 13 | 160 | 16,0 | 17,0 |
| 65 | 185 | 122 | 145 | 18 x 8 | 290 | 145 | 2 | 22 | 320 | 290 | 15 | 200 | 28,0 | 28,0 |
| 80 | 200 | 138 | 160 | 18 x 8 | 310 | 155 | 2 | 24 | 370 | 320 | 16 | 250 | 36,0 | 37,4 |
| 100 | 235 | 162 | 190 | 22 x 8 | 350 | 175 | 2 | 24 | 405 | 360 | 18 | 320 | 50,0 | 50,0 |

* for stainless steel valves (A) Tmax for material 1.4408: from -196°C up to +250°C

Globe Valve bellows sealed with flanges

218M – Straight form

222M – Angle form

* 218/222 MT – for disc with PTFE sealing

* 218/222 AM – for stainless steel valves.

DN 32 – 100/NP 4,0 MPa/Tmax = 450 °C *

Application :

Globe valves bellows sealed can be installed in any position on the pipeline, paying attention on correct flow direction of medium, in accordance with marking on the body. They are destined for closing the medium flow, specially where the medium is dangerous for health and environment. Possible also to throttle the medium flow in execution with regulating disc.

Medium:

The valves are applicable for water, sea water, steam, oil and other non-aggressive fluids and gases with operating temp. from – 10 °C up to 450 °C

Application range:

| Nominal pressure PN [bar] | Maximum operating pressure at medium temperature (°C) | | | | | | |
|---------------------------------|----------------------------------------------------------|--------|--------|--------|--------|--------|--------|
| | - 10 to 120 °C | 200 °C | 250 °C | 300 °C | 350 °C | 400 °C | 450 °C |
| GP240GH | 40 | 35 | 32 | 28 | 24 | 21 | 13 |
| GX5CrNiMo19-11-2 | 40 | 26 | 24 | | | | |

Detailed informations can be found on the graph "Fitting's permissible working parameters for applied materials" (layout p/t) in part IV of the catalogue.

Materials:

| Description | Material | | |
|-------------------------------------|-------------------|-----------------------------------|------------------------------------------------------------|
| | standard | with PTFE sealing (Tmax 200°C) | stainless steel (Tmax 250°C) |
| Body | GP240GH | GP240GH | GX5CrNiMo19-11-2 |
| Body seat | 18-8 Cr-Ni | 18-8 Cr-Ni | GX5CrNiMo19-11-2 |
| Bonnet - ND 32-50 - ND 65-100 | P250GH GP240GH | P250GH GP240GH | X6CrNiMoTi17-12-2 (X6CrNiTi18-10) GX5CrNiMo19-11-2 |
| Stem | X30Cr13 | X30Cr13 | X6CrNiTi18-10 |
| Disc seat | 18-8 Cr-Ni | PTFE | 18-8 Cr-Ni |
| Bellows | 18-8 Cr-Ni | 18-8 Cr-Ni | 18-8 Cr-Ni |
| Packing | Graphite | Graphite/PTFE | Graphite |

Remarks:

- Standard flanges: with raised face "B1", drilled acc. to PN-EN 1092-1:2004. On request – the other type of raised face acc. to PN-EN 1092-1:2004, ANSI, BS, DIN or according to individual request of the customer.
- We produce the valves with flanges designed for NP (0,6 – 2,5) [MPa].
- Tests and requirements of valves acc. to PN-EN 12266-1:2003.
- Tightness class – A acc. to PN-EN 12266-1:2003.
- Face to face dimension acc. to PN-EN 558-1:2001.
- Quality certificate, depends on customer request – acc. to PN-EN 10204:2005.

