

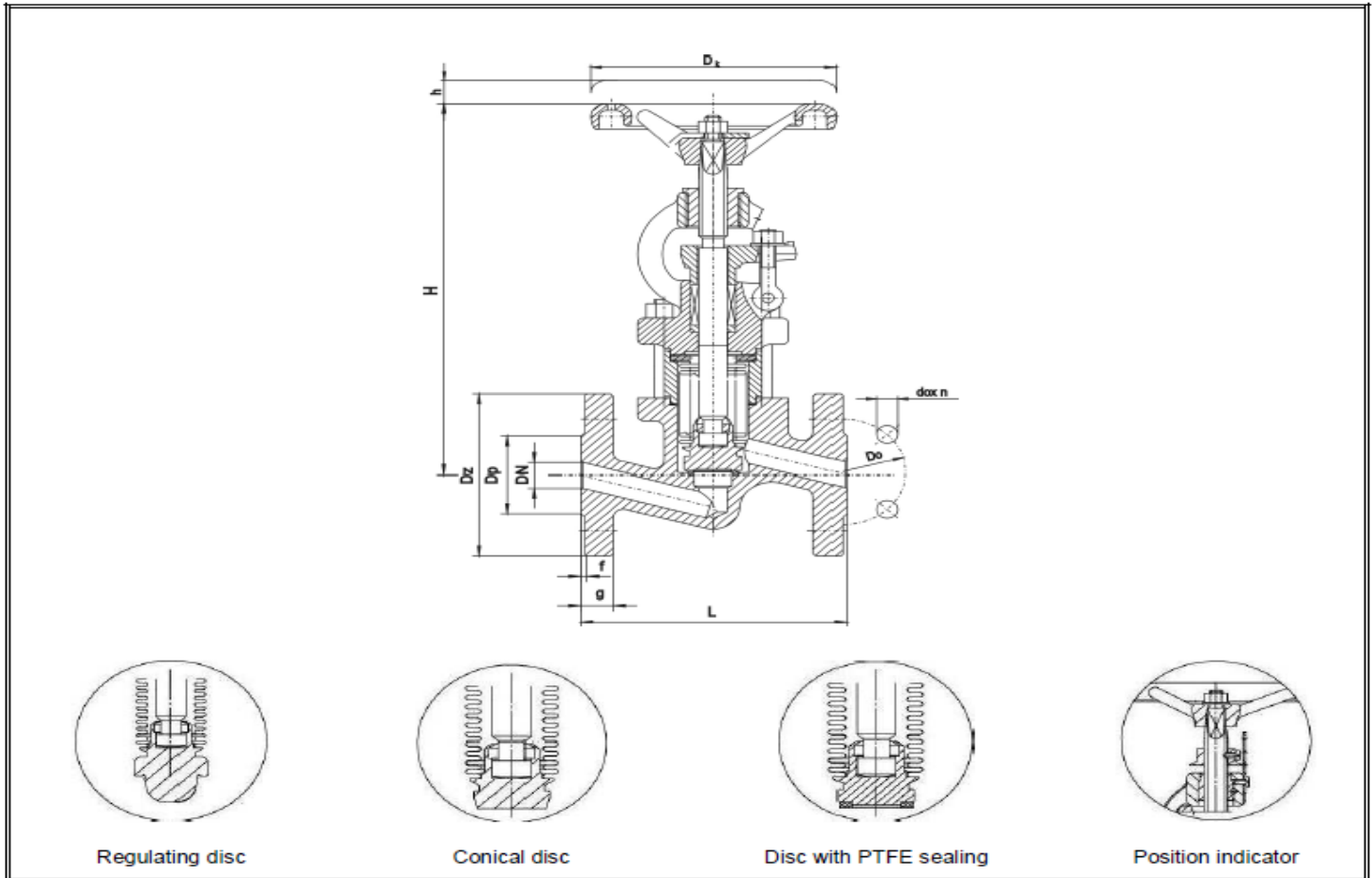
Globe Valve bellows sealed with flanges

450M – Straight form

* 450 MT – for disc with PTFE sealing

* 450 AM – for stainless steel valves.

DN 15 – 25/NP 4,0 MPa/Tmax = 450 °C *



Dimensions:

ND	D_z	D_p	D_o	$d_o \times n$	L	f	g	H	h	D_k	Weight kg
					mm						
15	95	45	65	14 x 4	130	2	16	215	10	120	4,7
20	105	58	75	14 x 4	150	2	18	215	10	120	5,3
25	115	68	85	14 x 4	160	2	18	215	10	120	5,7

* for stainless steel valves (A) Tmax for material: 1.4541 (X6CrNiTi18-10) from -196°C up to +300°C

Globe Valve bellows sealed with flanges

450M – Straight form

* 450 MT – for disc with PTFE sealing

* 450 AM – for stainless steel valves.

DN 15 – 25/NP 4,0 MPa/Tmax = 450 °C *

Application:

Globe valves bellows sealed with flanges can be installed in any position on the pipeline, paying attention on correct flow direction of medium, that should be in accordance with marking on the body. They are destined to closing the medium flow, specially, where the medium is dangerous for health and environment. Possible also to throttle the medium flow in execution with regulating disc. Above mentioned valves have longer life because of guarantee cycles of bellows operation and reduced numbers of sealing, providing fully tightness.

Medium:

The valves are applicable for water, sea water, steam, oil and other non-aggressive fluids and gases with operating temp. from – 10 °C up to 450 °C

Application range:

Nominal pressure PN [bar]	Maximum operating pressure at medium temperature (°C)						
	to 120 °C	200 °C	250 °C	300 °C	350 °C	400 °C	450 °C
P250GH	40	35	32	28	24	21	13
X6CrNiTi18-10	40	36	34	32			

Detailed informations can be found on the graph "Fitting's permissible working parameters for applied materials" (layout p/t) in part IV of the catalogue.

Materials:

Description	Material		
	standard	with PTFE sealing (Tmax 200°C)	stainless steel (Tmax 300°C)
Body	P250GH	P250GH	X6CrNiTi18-10
Body seat	18-8 Cr-Ni	18-8 Cr-Ni	X6CrNiTi18-10
Bonnet	P250GH	P250GH	X6CrNiTi18-10
Stem	X30Cr13	X30Cr13	X6CrNiTi18-10
Disc seat	18-8 Cr-Ni	PTFE	18-8 Cr-Ni
Bellows	18-8 Cr-Ni	18-8 Cr-Ni	18-8 Cr-Ni
Packing	Graphite	Graphite/PTFE	Graphite

Remarks:

1. Standard flanges: with raised face "B1", drilled acc. to PN-EN 1092-1:2004. On request – the other type of raised face acc. to PN-EN 1092-1:2004, ANSI, BS, DIN or according to individual request of the customer.
2. We produce the valves with flanges designed for NP (0,6 – 2,5) [MPa].
3. Tests and requirements of valves acc. to PN-EN 12266-1:2003.
4. Tightness class – A acc. to PN-EN 12266-1:2003.
5. Face to face dimension acc. to PN-EN 558-1:2001.
6. Quality certificate, depends on customer request – acc. to PN-EN 10204:2005.

