

# Bossmatic Paragon®

Modulating Control Valves

**HIGH QUALITY • COMPETITIVE • HIGH TURNDOWN**

## Bossmatic Paragon® Control Valves

2-way modulating or 3-way mixing or diverting competitive flow control valves.

DN 15 to DN 150 flanged connections to PN16/25/40 or ANSI 125/250, 150/300.

The Bossmatic Paragon control valve provides efficient modulating control of liquids, steam, air or gases.

### Main Features

- Unique "Paragon" high turn down ratio trim
- Exceptional flow control characteristics
- Stable control at low flow rates
- Lightweight for ease of handling
- Compact for when space is limited
- Robust design for minimal maintenance
- 2-way or 3-way body configurations
- Cast Iron - PN25 rated, -15°C to 180°C
- Cast carbon steel - ANSI Class 300 rated, 0°C to 180°C (standard) 400°C (maximum)
- Cast 316 stainless steel - ANSI Class 300 rated, -40°C to 180°C (standard) 400°C (maximum)
- Pneumatic or electric actuator options
- Stainless steel trim for modulating control applications
- Equal percentage (2-way) or linear characteristic (3-way) plug and spindle assemblies
- For use on liquid, steam, air or gas applications
- On/Off trims also available



# Bossmatic Paragon®

## Modulating Control Valves

### Material Details

#### Body Material

Cast Iron - EN 1561: EN-JL1040.  
 Carbon Steel - EN 10213-2:1.0619.  
 Stainless Steel - EN 10213-4:1.4408.

#### Trim Material

Stainless Steel, Stellite & PTFE

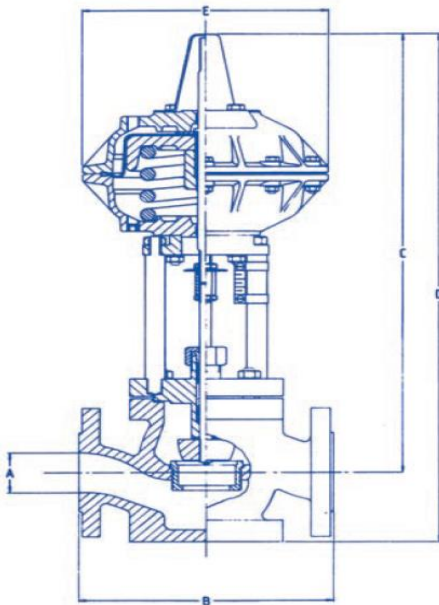
### Accessories

Valve positioner, solenoid valves, air filter regulator, end-of-travel limit switches, manual override (handjack) or air-lock-up valve.

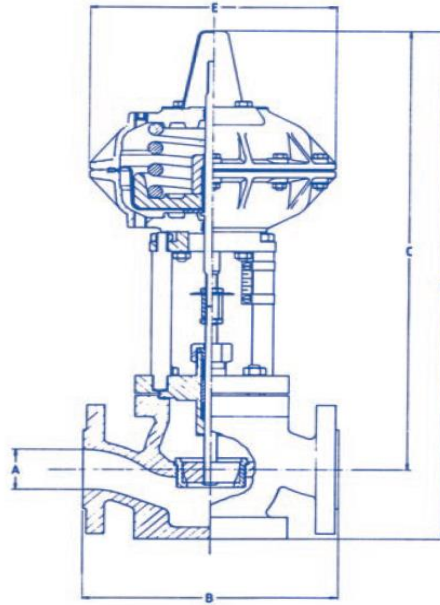
### Limiting Conditions

Ambient temperature: 90°C max.  
 Service temperature: According to body material, construction and flange rating.  
 Actuator air supply: 6 BarG max.  
 Seat Closure: Metal-to-metal seating - Class IV  
 Soft seated - Class V

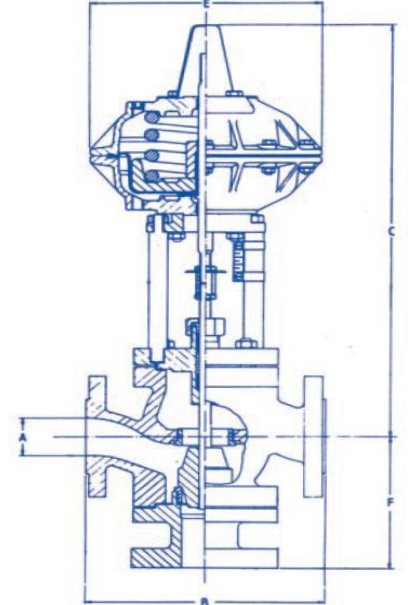
**Fig. 620 Air Fail Open**



**Fig. 640 Air Fail Closed**



**Fig. 660/680 3-way**



A Size	Actuator Size (cm2)	B	C	D	E	F	Weight (kg)	
							2-way	3-way
DN15 (1/2")	250	197	537	575	257	150	20	22
DN20 (3/4")	250	197	537	575	257	150	20	22
DN25 (1")	250	197	537	590	257	150	20	22
DN40 (1 1/2")	250	235	555	640	257	177	32	35
DN50 (2")	250	267	555	640	257	177	34	40
DN65 (2 1/2")	250	292	555	651	257	182	44	50
DN80 (3")	500	317	849	956	334	220	85	95
DN100 (4")	500	368	864	995	334	235	90	102
DN150 (6")	500	473	902	1130	334	310	150	165