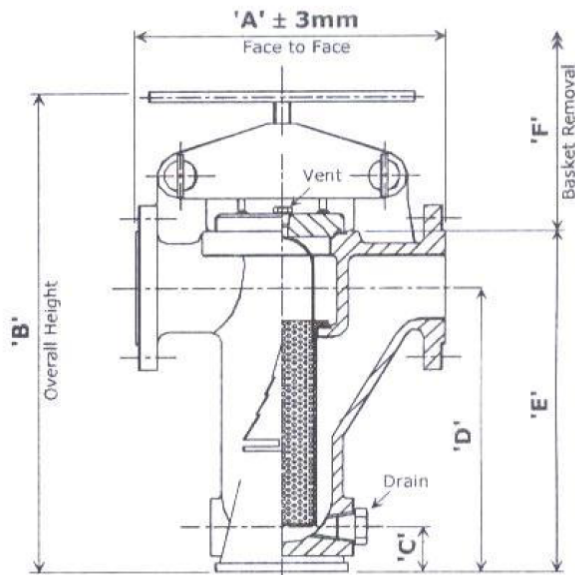


Mono-in-line-Strainer PN 16



Size: 1" to 12" nominal bore

Pressure: EN 1092-1 PN 16

Features:

- Integrally Cast Housing
- Quick Release Closure
- Red oxide finish as standard
- 0.40 mm mesh screen as standard
- integral feet on 6" and over

Options:

- Special gasket, special basket
- D. P. Tappings/Gauge
- Magnetic Basket Insert
- Flanged Drains/Drain Valves
- Special Finish/Linings

Standards: PED 97/23/EC
 EN 1092-1 Flange Dimensions
 EN 10204 / Nace Certifications

Size		Dimensions						Basket Area (cm ²)	Vent (NPT)	Drain (NPT)	Weight (kg)
Inch	mm	"A" Face to face	"B" Overall Height	"C" Base to Drain	"D" Base to Centreline	"E" Base to Cover	"F" Basket Removal				
1"	25	232,0	345,0	28,0	190,0	225,0	200,0	241,0	¼"	¾"	14,0
1 ½"	40	240,0	420,0	35,0	254,0	297,0	275,0	375,0	¼"	¾"	20,5
2"	50	315,0	490,0	38,0	314,0	362,0	340,0	488,0	¼"	¾"	28,0
3"	80	360,0	570,0	40,0	342,0	411,0	375,0	652,0	⅜"	¾"	44,0
4"	100	440,0	695,0	47,0	426,0	505,0	450,0	1088,0	⅜"	1"	67,0
6"	150	595,0	990,0	95,0	619,0	734,0	630,0	2151,0	½"	1 ½"	165,5
8"	200	705,0	1190,0	112,5	787,0	927,0	800,0	3973,0	½"	1 ½"	305,0
10"	250	845,0	1415,0	120,0	908,0	1077,0	940,0	5304,0	½"	1 ½"	544,0
12"	300	1005,0	1570,0	175,0	1152,0	1367,0	1180,0	8295,0	½"	2"	585,5

Materials of Construction		
Item	Carbon Steel	Stainless Steel
Body	ASTM A216 WCB	ASTM A351 CF8M
*cover	ASTM A516 Gr60 / A216 WCB	ASTM A240 316 / A351 CF8M
Element	ST.ST. 316	
cover gasket	Nitrile (O-ring)	
Vent Plug	ASTM A105N	ASTM A182 F316
Drain Plug	ASTM A105N	ASTM A182 F316
Strongback	ASTM A216 WCB	ASTM A351 CF8M
Screw Handle	ASTM A193 B7M –zinc plated / ST.ST. 316 Handle	
Quick Release Pin	BS 970 080 M40 –zinc plated	
Linch Pin	Carbon Steel– zinc plated	

* The strainer cover may be furnished from plate or casting depending upon size/availability.