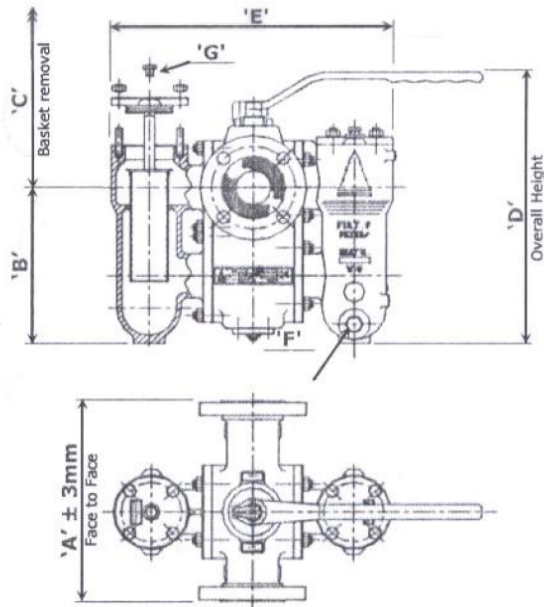


## 150 lbs Rating Duplex-Strainer



Sizes: ½" to 4" nominal bore

Pressure: ANSI Class 150 lbs

Features:

- Simple change-over operation
- Linked ball valve mechanism for positive seal
- Red oxide finish (carbon steel)
- 40 mesh baskets as standard

Options:

- Special baskets
- Magnetic basket inserts
- Flanged Drains/Vents
- Special Finish
- Other materials/ratings available

Standards: PED 97/23/EC (1 ½" to 4 " NB only)  
 ANSI B16.5 Flange Dimension  
 EN 10204 / Nace Certifications

Size (NB)		Dimension							Basket Area (cm <sup>2</sup> )	Weight (kg)
Inch	mm	"A" Face to face	"B" Base to C/line	"C" Basket Removal	"D" Overall Height	"E" Overall Width	"F" Drain (NPT)	"G" Vent (NPT)		
½"	15	190,0	142,0	150,0	272,0	272,0	¼"	¼"	129,2	18,0
¾"	20	190,0	142,0	150,0	272,0	272,0	¼"	¼"	129,2	18,0
1"	25	200,0	142,0	150,0	272,0	272,0	¼"	¼"	129,2	20,0
1 ½"	40	260,0	182,0	195,0	335,0	360,0	⅜"	¼"	190,0	37,0
2"	50	295,0	227,0	260,0	395,0	398,0	½"	¼"	291,0	57,0
3"	80	415,0	315,0	360,0	530,0	540,0	¾"	⅜"	612,6	132,0
4"	100	520,0	417,0	460,0	670,0	713,0	¾"	½"	1.061,0	220,0

Materials of Construction		
Item	Carbon Steel	Stainless Steel
Valve Body	ASTM A216 WCB	ASTM A351 CF8M
Basket Chambers	ASTM A216 WCB	ASTM A351 CF8M
Chamber Cover	ASTM A216 WCB	ASTM A351 CF8M
Change-over handler	ASTM A216 WCB	ASTM A351 CF8M
Drain/Vent plug	ASTM A105N	ASTM A182 F316
Studbolts	ASTM A193 B7M – zinc plated	
Full Nuts	ASTM A194 2HM – zinc plated	
Diverter Balls	Stainless Steel 316	
Ball Sets	P.T.F.E.	
Internal Shafts	Stainless Steel 316	
O-Rings	Viton as standard – other materials available upon request	
Baskets (perforated)	Stainless Steel 316 (lined with 40 Mesh* as standard)	

\*Baskets can be lined with various meshes to suit customer requirements.