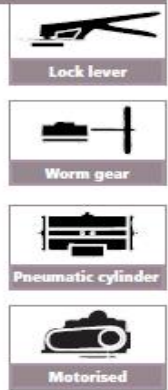
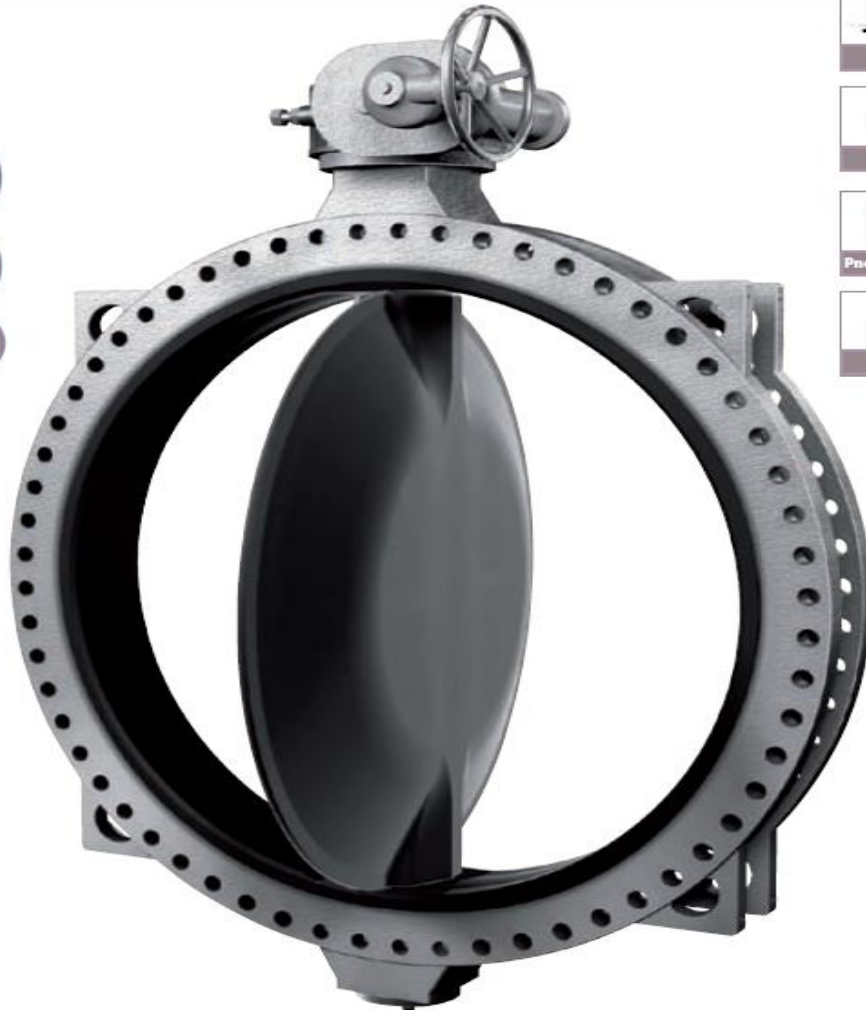


Large diameter rubber seated butterfly valve

KRV
DN1000
DN2000
(40" to 80")



Features and benefits

Lightweight design

Lightweight, slim disc design provides high Cv values and low pressure loss figures at the fully open position.

Rubber lined

The valve body is rubber lined to isolate the body material from the flow media and increase valve longevity.

Multi layered stem bearings

The multi layered stem bearings ensure that optimum torque figures are delivered and maintained.

Bi-directional flow

Seals flow in both directions. Concentric butterfly valve design makes it suitable for bi-directional flow.

Ease of maintenance

The replaceable seat ring makes maintenance easy and reduces maintenance costs.

KRV

General Description

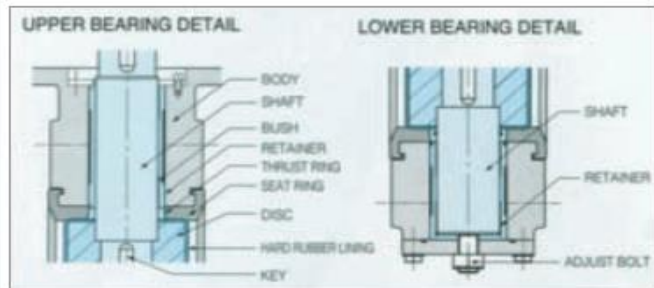
Large diameter rubber seated concentric disc butterfly valve. Cost-effective design combined with TOMOE reliability.

Valve style	Double flanged concentric butterfly valve	
Valve size range	DN1000 – 2000 (40 – 80 inch)	
Face-to-face dimensions	280mm (Manufacturer Standard)	
End connection	EN 1092 PN6, 10 AWWAC207 Class D. Please consult us for other end connections	
Maximum pressure	0.6MPa	
Test pressure	Shell strength test #1	0.9MPa
	Seat leakage test #1	0.9MPa
Temperature range	NBR seat	0 to 60 degrees C (intermittent service: Max 80 degrees C)
	EPDM seat	0 to 80 degrees C (intermittent service: Max 100 degrees C)
Standard materials	Body #1	FCD450-10 (A636 gr. 60, 40, 18), A216 WCB
	Disc #1	FCD450-10 (A536 gr. 60, 40, 18) A351 gr CF8M FCD450-10+ hard rubber lining, B148-C95800
	Shaft #1	SUS 403
	Seat ring	EPDM or NBR
Main application	Water (sea water, clean water, industrial water) air	
Flow direction	Bi-directional	
Actuator	Worm gear, air cylinder, electric motor operator	
Coating	TOMOE primer grey (Lacquer N7)	

Expanded view of components



Detail of KRV 1600



KRV Dimensions

Nominal size		Dimension (mm)																			Approx Weight (kg)	
mm	inch	ϕd	ϕD	ϕC	ϕD_1	ϕC_1	d_2	L	H ₂	H ₁	l	T	t	b	t ₁	N ₁	K	N ₂	S	N ₃		B
1000	40	951	1175	1120	300	254	70	280	713	693	75	50	30	22	9	24	30	4	M27	8	18	665
1100	44	1076	1300	1240	300	254	75	280	775	751	78	50	30	25	10	24	30	4	M27	8	18	761
1200	48	1176	1405	1340	300	254	80	280	828	801	89	50	30	25	10	28	33	4	M30	8	18	845
1300	52	1274	1525	1450	350	298	85	280	893	861	95	55	40	28	12	28	36	4	M33	8	22	1035
1400	56	1374	1630	1560	350	298	90	280	945	913	107	55	40	28	12	32	36	4	M33	8	22	1150
1500	60	1480	1730	1660	350	298	95	280	993	978	120	55	40	28	12	32	36	4	M33	8	22	1240
1600	64	1568	1830	1760	415	356	100	280	1050	1027	132	60	40	28	12	36	36	4	M33	8	33	1460
1800	72	1774	2045	1970	415	356	115	280	1157	1142	136	60	40	32	13	40	39	4	M36	8	33	1825
2000	80	1974	2265	2180	415	356	125	280	1267	1257	157	60	40	32	12	44	42	4	M39	8	33	2263

