




Chemically resistant butterfly valves

841T

842T



- 
 Worm gear
- 
 Pneumatic cylinder
- 
 Motorised

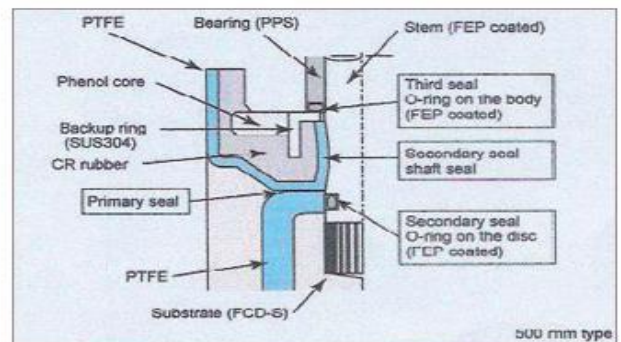
Features and benefits

Bubble tight seal and no leakage

Teflon®, or Tetrafluoroethylene, developed by Du Pont Inc, does not react to most of the chemicals used in modern chemical processing – even at high temperatures and high pressures. It is recognised as an ideal material for industrial valves that handle highly corrosive fluids. Teflon has a low friction coefficient and excellent lubricity when used in contact with metal surfaces. TOMOE's 841T and 842T butterfly valves take full advantage of the superior qualities of Teflon: it protects all wetted parts and guides all stems. The 841T and 842T valves have a proven record of excellent performance and long life in heavy duty applications requiring tight shut-off, low torque and smooth operation.

Triple seal prevents leakage

The special feature of TOMOE butterfly valves is the seat ring design. The interference between the disc and the raised central area of the seat ring shuts off the flow completely. The resilient elastomer seat cushion ensures reliable shut off for the life of the valve. TOMOE butterfly valves are bi-directional and withstand pressures to 0,7 MPa from either direction. The upper and lower positions of the seat ring, where the stem passes through, use a triple seal design to prevent leakage to the atmosphere as shown in the illustration.



841T 842T

General Description

Chemically resistant butterfly valves with a proven record of excellent performance and long life in heavy duty applications.

Standard Specification

Type	841T	842T	
Body shape (centring method)	Concentric design, wafer type		
Valve nominal size	350, 400, 450, 500, 600mm	350, 400, 450, 500, 600mm	
Applicable flange standard	JIS 10K, ANSI 125 lb/150 lb, DIN NP10, BS 4504 PN10, BS 10Table E		
Face-to-face dimensions	Manufacturer standard		
Max. working pressure	0.7 MPa		
Seat leakage	Tight shut-off		
Flow direction	Bi-directional		
Pressure test	Body shell	1.05 MPa (Hydraulic)	
	Seat leakage	0.7 MPa (Pneumatic, 350mm and higher: Hydraulic)	
Working temperature range	- 10 to 100 degrees C		
Working temperature in continuous use #1	0 to 90 degrees C		
Standard materials	Body	FCD-S	
	Disc	SCS14	FCD-S+ PTFE lining
	Stem	SUS316	S45C+FEP coating
	Seat ring	PTFE (back-up rubber: CR)	
Top flange	Manufacturer standard		
Applicable gaskets	Rubber gasket cannot be used. Moulded gaskets require special dimensions (refer to dimension chart). Off-the-shelf seat gaskets can be used for 250 to 400mm types. 450 to 600mm types require special inner diameter dimensions (refer to dimension chart).		
Coating	250mm and 300mm types: Epoxy resin coated (Munsell N7) 350mm and higher: Lacquer primer (Munsell N7)		

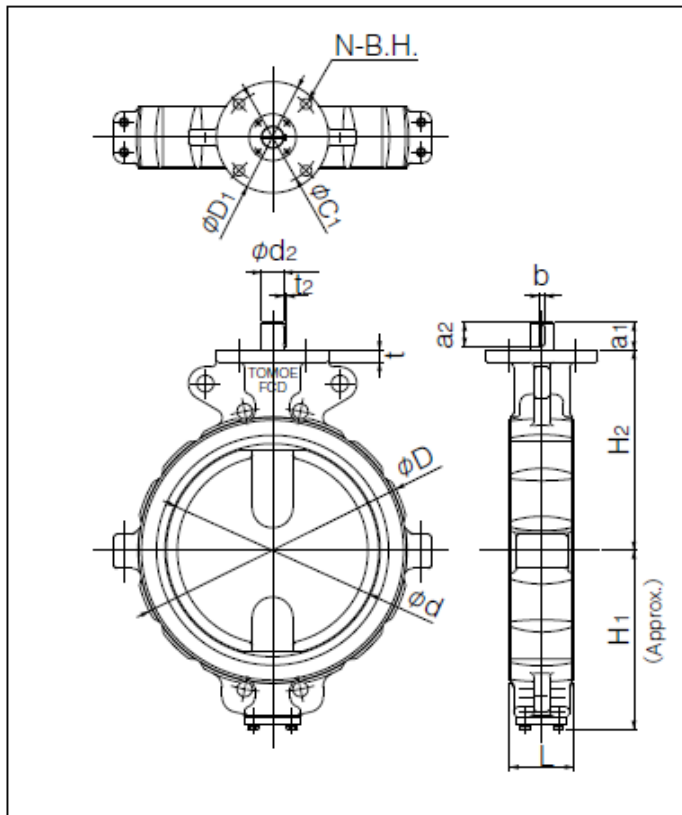
Teflon® is a registered trademark for a fluoride resin produced by Mitsui-Du Pont Fluorochemical Co. Ltd.

#1. "Working temperature in continuous use" stands for the temperature continuously kept exceeding one hour.

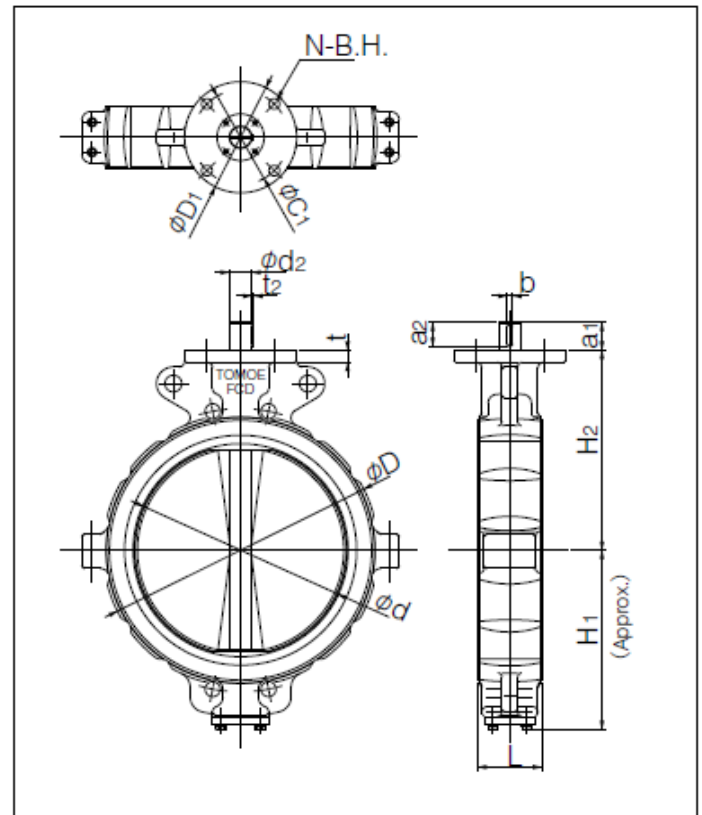
■841T/842T

Nominal size		Dimension (mm)															Approx. Mass (kg)
mm	inch	ϕd	ϕD	L	H ₁	H ₂	a ₁	a ₂	ϕd_2	b	t ₂	t	D ₁	C ₁	N	B.H.	
350	14	332	428	100	293	320	50	43	40	10	3.5	20	200	170	4	19	60
400	16	383	491	110	323	360	50	43	40	10	3.5	20	200	170	4	19	80
450	18	435	540	120	367	390	60	53	47	12	3.5	20	200	170	4	19	123
500	20	482	595	140	383	420	60	53	47	12	3.5	20	200	170	4	19	188
600	24	581	700	160	478	490	75	65	65	18	6	25	260	220	4	23	266

■841 T 350mm to 600mm



■842 T 350mm to 600mm



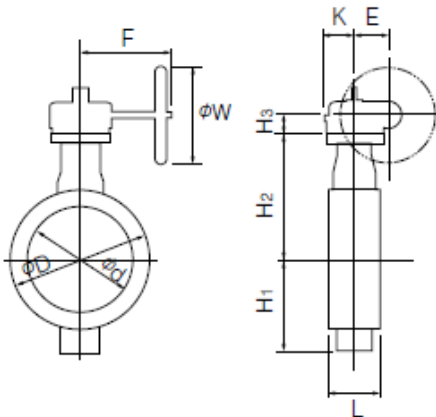
841T/842T

Worm gear type 841T-2S(350mm to 600mm) / 842T-2S(350mm to 600mm)

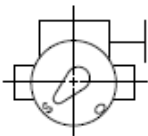
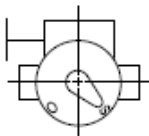
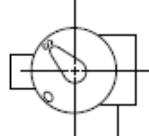
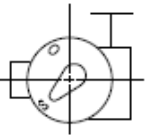
841T/842T

Nominal size		Dimension (mm)										Gear type	Approx. Mass (kg)
mm	inch	ϕd	ϕD	L	H ₁	H ₂	H ₃	E	K	F	W		
350	14	332	428	100	293	320	55	117	164	325	280	MGH-3	93
400	16	383	491	110	323	360	55	117	164	325	280	MGH-3	113
450	18	435	540	120	367	390	55	117	164	335	355	MGH-3	155
500	20	482	595	140	383	420	55	117	164	335	355	MGH-3	220
600	24	581	700	160	478	490	65	140	198	400	450	MGH-4	320

841T/842T-2S



2S Installation direction

			
2S A (standard)	2S AR	2S B	2S BR