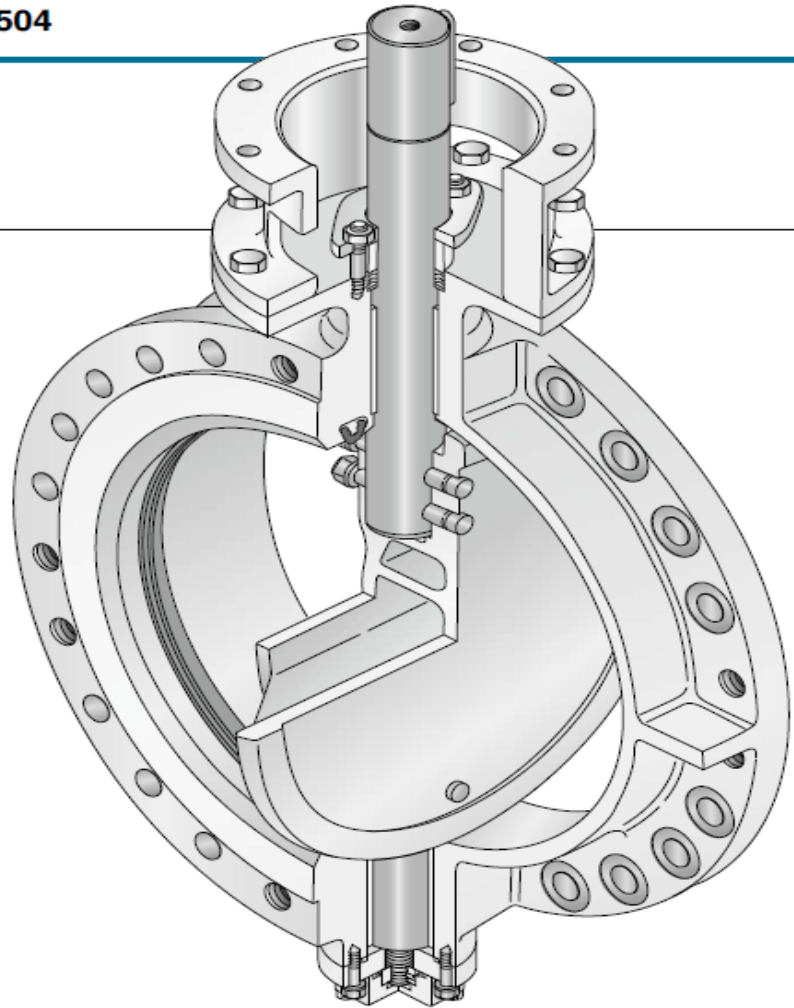


227P



Features and Benefits

A unique structure and low cost with proven reliability in water works, power generation, desalination plants and other industrial applications.

Unique seat ring

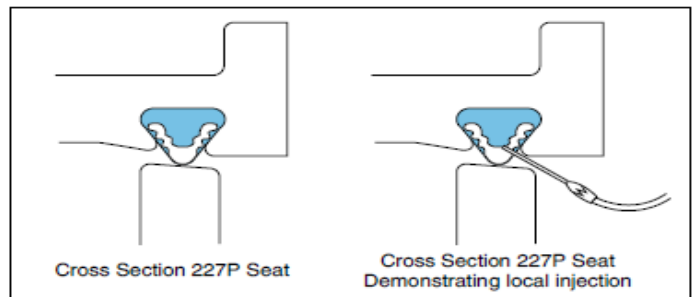
Unique seat ring structure provides low torque and long life. Grooves are molded on the sealing surface of the seat to reduce operating torque. An original retaining method is adopted. Plastic resin is injected from behind the seat ring to stiffen it. The resin-reinforced seat ring keeps constant compression through the entire disc to assure tight shut off.

Arch-shaped disc

A light weight and highly rigid arch-shaped disc allows fluid to pass through it when a valve opens. The valve opening area (Cv value) increases by approximately 15% compared to conventional designs. The pressure drop is also minimized.

Easy seat repair

Generally, the seat ring can be used for over 10 years without replacement. If any leakage is found, it can be easily repaired using an injection kit to inject resin into the seat ring surface at the point of leakage. The seat can also be replaced by a new seat with the injection kit.



Custom-Mode Design

Custom mode desing, including the use of special materials, special face to face dimentionts are aviable upon request.

Standard Specifications

Valve nominal size		650mm to 2400mm
Applicable flange standard		JIS 5K/10K, DIN NP10/NP16, JPI 150Lb, ANSI 125Lb/150Lb, AWWA
Max.Working pressure		1.6MPa
Pressure test	Body shell	2.4MPa (water pressure, max.)
	Seat leak	1.8MPa (max.)
Working temperature range		-10 to 80 degrees C (NBR)
Woking temperature in continuous use ※1		0 to 60 degrees C (NBR)
Standard materials	Body	FCD450, SCPH2
	Disc	SCS13, CAC702
	Stem	SUS304, SUS63, Monel K-500
	Seat ring	NBR, *EPDM
Special specification		Rubber lined body interior
Coating		Primer (Munsell N7)

※ Consult us with specifications if dimensions for actuator are required.

※ Actuators such as manual, pneumatic, electric and hydraulic ones can be selected upon adapt of detailed specifications.

※ 1."Woking temperature in continuous use" stands for the temperature continuously kept exceeding one hour.

*No EPDM seat can be used for fluid containing any oil.

