

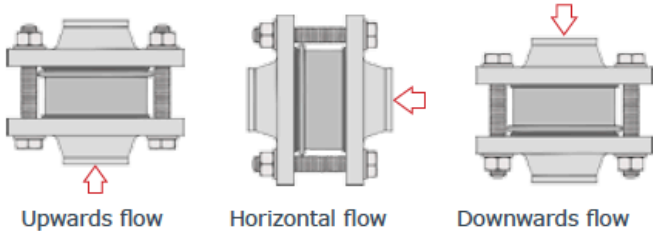
Backventiler

(Non Return Valve GA 015, GB 015, GB 019)

GA 015 DN 15 - 100 • 1/2" - 4"	GB 015 DN 15 - 100 • 1/2" - 4"	GB 019 DN 15 - 100 • 1/2" - 4"
------------------------------------------	------------------------------------------	------------------------------------------

Features and Advantages:
 Little dimensions and low weights
 Face to face acc.to **DIN EN 558-1 Series 49 (DIN 3202 K4)**.
 Opening pressure from 20 to 500 mBar.
 Usable also as vacuum breaker, overpressure and bottom valve.
 No leakage with soft seat and acc.to **DIN 3230 BN3** with metal seat.
 Low head losses.

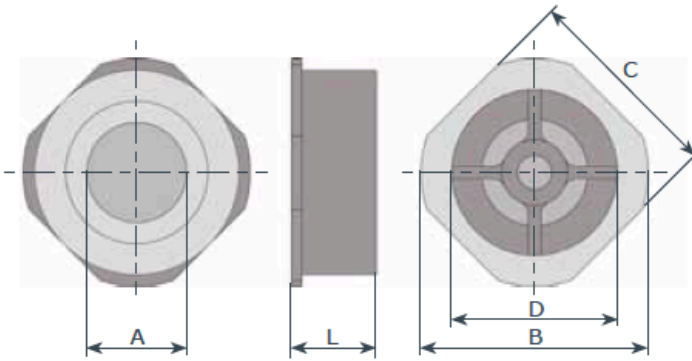
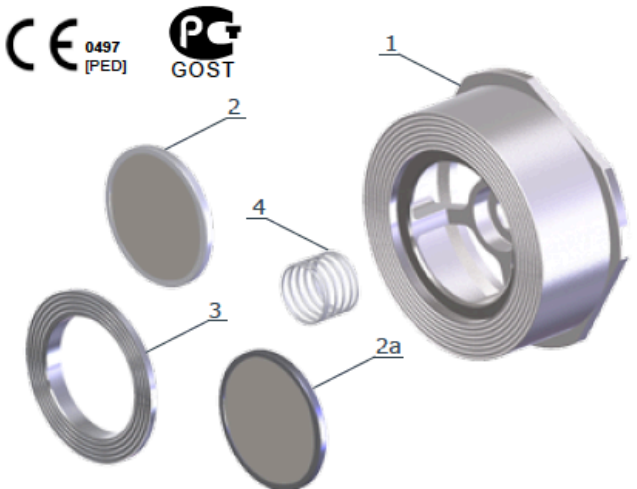
To be installed in any position:



GA 015 DN 15 - 100 • 1/2" - 4"

Features:
 DN 15/100: P max: 52 Bar
 Flange:
 DN 15÷80 PN 6÷40, A150÷300
 DN 100 PN 10÷40, A150÷300

Certifications:



DN	15	20	25	32	40	50	65	80	100	item	q.ty	part	material
A	15	20	24	31	38	47	62	77	95	1	1	body	• A351 - CF8M (AISI 316)
B	53	63	73	84	94	107	131	140	162	2	1	disc -standard	• A240 (AISI 316L)
C	45	55	65	74	84	98	118	130	162	2A	1	<i>on request</i>	• A240 (AISI 316L) + NBR • A240 (AISI 316L) + EPDM • A240 (AISI 316L) + FKM
D	27	33	38	54	64	78	96	105	130	3	1	seat disc <i>on request</i>	• A182 (AISI 316) • A182 (AISI 316) + PTFE
L	16	19	22	28	32	40	46	50	60	4	1	spring -standard <i>on request</i>	• AISI 316 • Hastelloy C4
Kg	0.11	0.14	0.26	0.4	0.6	0.95	1.3	1.9	3.4				

This type of valve cannot be used with spirometallic packing.

minimum opening pressure with standard springs											special spring table										
flow	DN	15	20	25	32	40	50	65	80	100	DN	15	20	25	32	40	50	65	80	100	
△	mBar	25	25	25	27	29	29	31	32	33	50 mBar	Y	Y	Y	Y	Y	Y	Y	Y	Y	Y
▷	mBar	23	23	23	24	25	25	26	26	27	100 mBar	Y	Y	Y	Y	Y	Y	Y	Y	Y	Y
▽	mBar	21	21	21	21	21	21	21	21	21	200 mBar	Y	Y	Y	Y	Y	Y	Y	Y	Y	Y
△ without spring	mBar	2	2	2	3	4	4	5	5	6	300 mBar	Y	Y	Y	Y	Y	Y	Y	Y	Y	Y
											500 mBar	Y	Y	Y	Y	Y	Y	N	N	N	N

Y = available / N = not available
 Opening values may vary ±10%