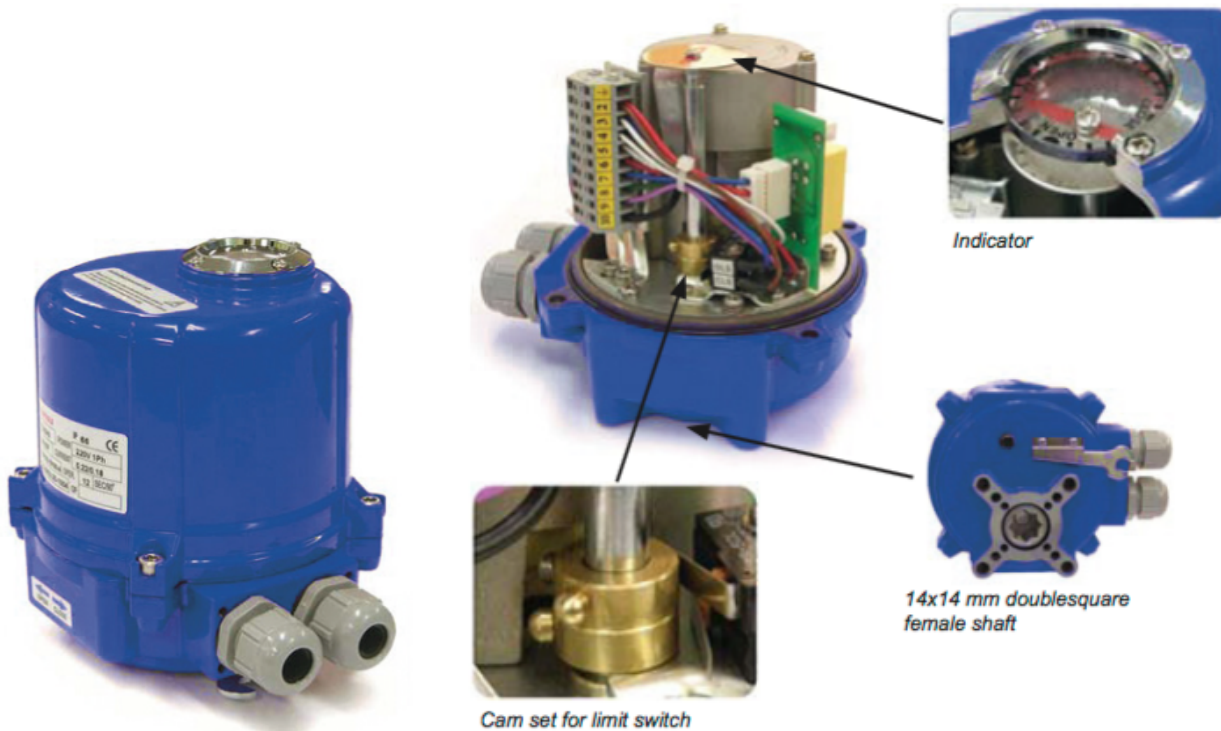


Manöverdon (Electrical Actuator type ITQ 004)



Product Overview

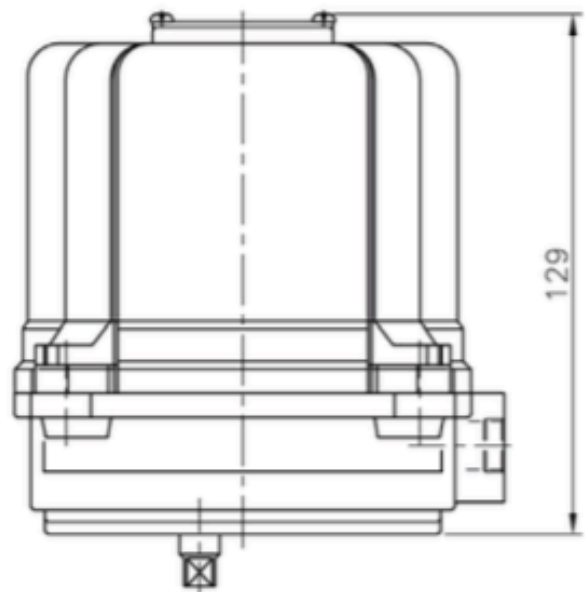
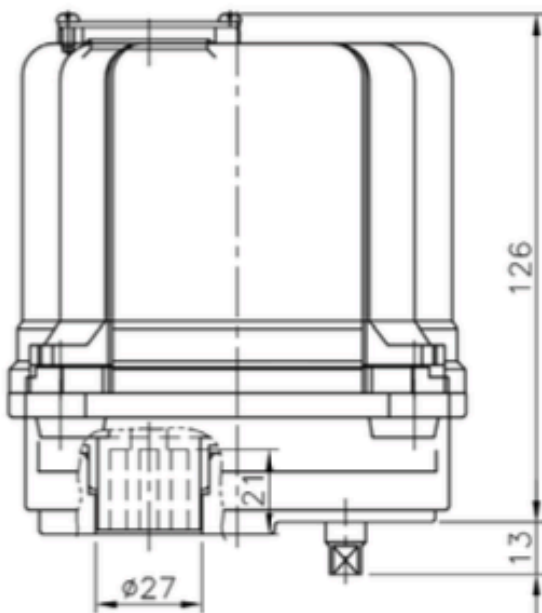
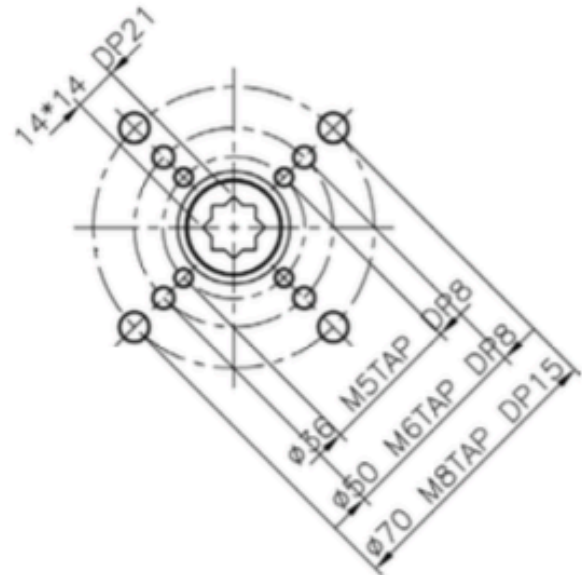
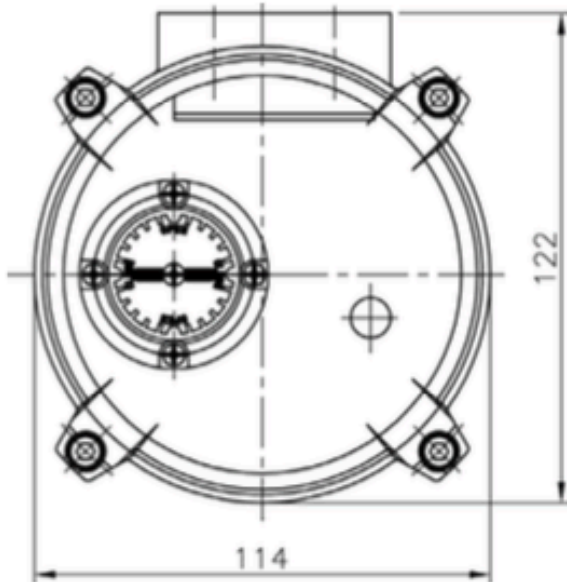
- ON/OFF automation of small ball valves and dampers
- Special designed induction motor
- High starting torques and thermally protected from overheating
- Compact and light weight
- Standard supply voltage 1 phase 230V, optional voltage available

STANDARD SPECIFICATION

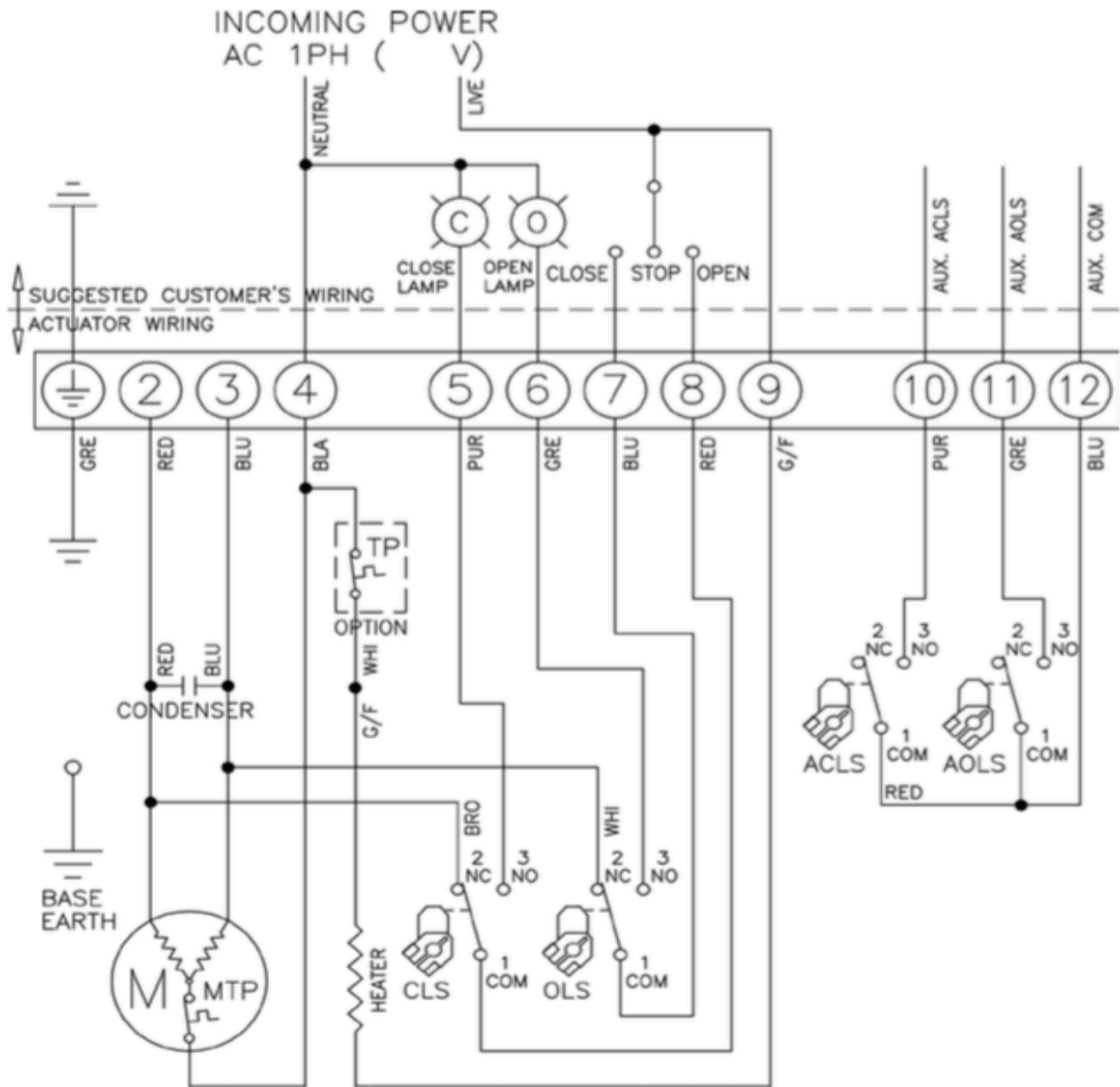
Enclosure	IP66, O-ring sealed
Main power supply	220 VAC / 1 phase / 50/60 Hz
Duty cycle ON/OFF	S2: 50%
Motor	DC motor
Limit switches	2 pcs. for open/close (5A, 250 VAC)
Extra limit switches	Relays for open/close
Mounting	ISO F03, 9x9 mm square female shaft
Travel angle	90° ± 5°
Cable entries	PG11 cable gland with 30 cm wires
External coating	Dry powder polyester
Ambient temperature	-10°C – +65°C
Ambient humidity	90% RH max.

Type	Torque (Nm)	Duty cycle S2 (%)	Operating time (sec.) 50 Hz / 60 Hz	Max. bore size (mm)	Rated current (A) 1 fase 220	Motor insulation class	Weight (Kg)
ITQ 004	40	50	14 / 12	14	0,18	E	3

DIMENSIONS



WIRING



- CLS : CLOSE LIMIT SWITCH (250VAC 3A)
 - OLS : OPEN LIMIT SWITCH (250VAC 3A)
 - ACLS : AUX. CLOSE LIMIT SWITCH (250VAC 3A)
 - AOLS : AUX. OPEN LIMIT SWITCH (250VAC 3A)
 - TP : THERMAL PROTECTOR (250VAC 15A OPTION)
- *EACH ACTUATOR SHOULD BE POWERED THROUGH ITS OWN INDIVIDUAL SWITCH OR RELAY CONTACTS TO PREVENT CROSS FEED BETWEEN TWO OR MORE ACTUATORS.