

**AIR FILTER REGULATOR  
 P 10**

**ADCA**Trol

**DESCRIPTION**

The P10 air filter regulators are used to remove both solid and liquid impurities from the air and to regulate the output pressure to the required value for general purpose pneumatic systems. The filter bowl which is transparent allows easy monitoring of the condensate level.

**MAIN FEATURES**

- Self relieving.
- Compact combined filter/regulator.
- 5 micron large surface area element.
- Manual and automatic condensate exhaust easier when there is no pressure.
- Pressure gauge D.42 x 1/8"
- Mounting bracket

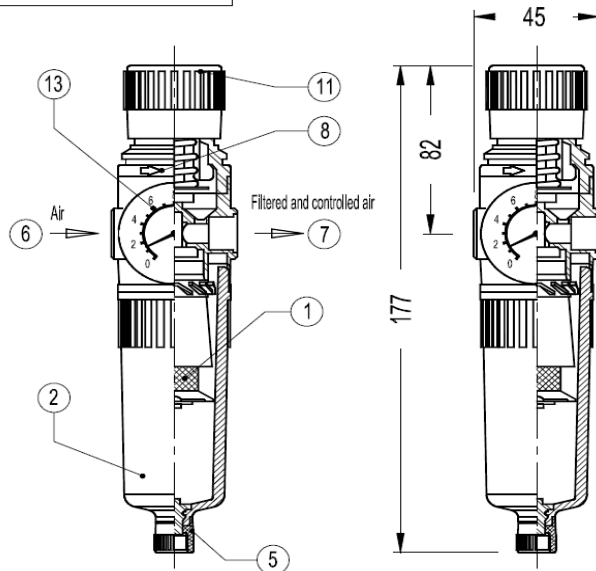
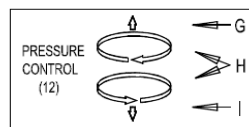
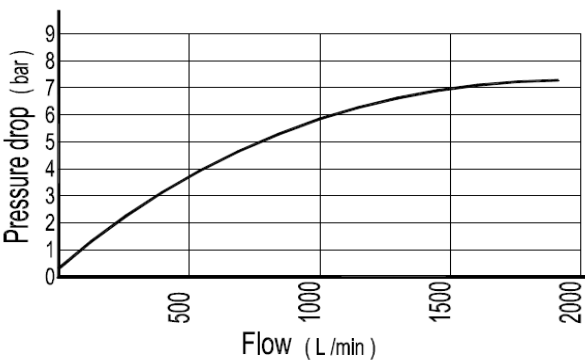
USE: Pneumatic systems

**AVAILABLE**

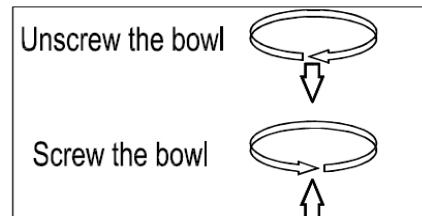
- MODELS: P 10
- VALVE SIZES: DN 1/4"
- CONNECTIONS: BSP (BS21-Rp)



LIMITING CONDITIONS	
Valve model	P10
Max.upstream pressure	12 bar
Max.downstream pressure	10 bar
Min.downstream pressure	0,5 bar
Max.design temperature	60 °C
Min.Operating temperature	-10 °C



POS.Nr.	DESIGNATION
1	Filtering element
2	Bow I (including bow I guard)
5	Exhaust ring
6	Air inlet connection
7	Low pressure air outlet
8	Flow indicator arrow
11	Pressure regulating knob
13	Pressure gauge



MATERIALS	
Body	Aluminium die cast
Bow I	Polycarbonate