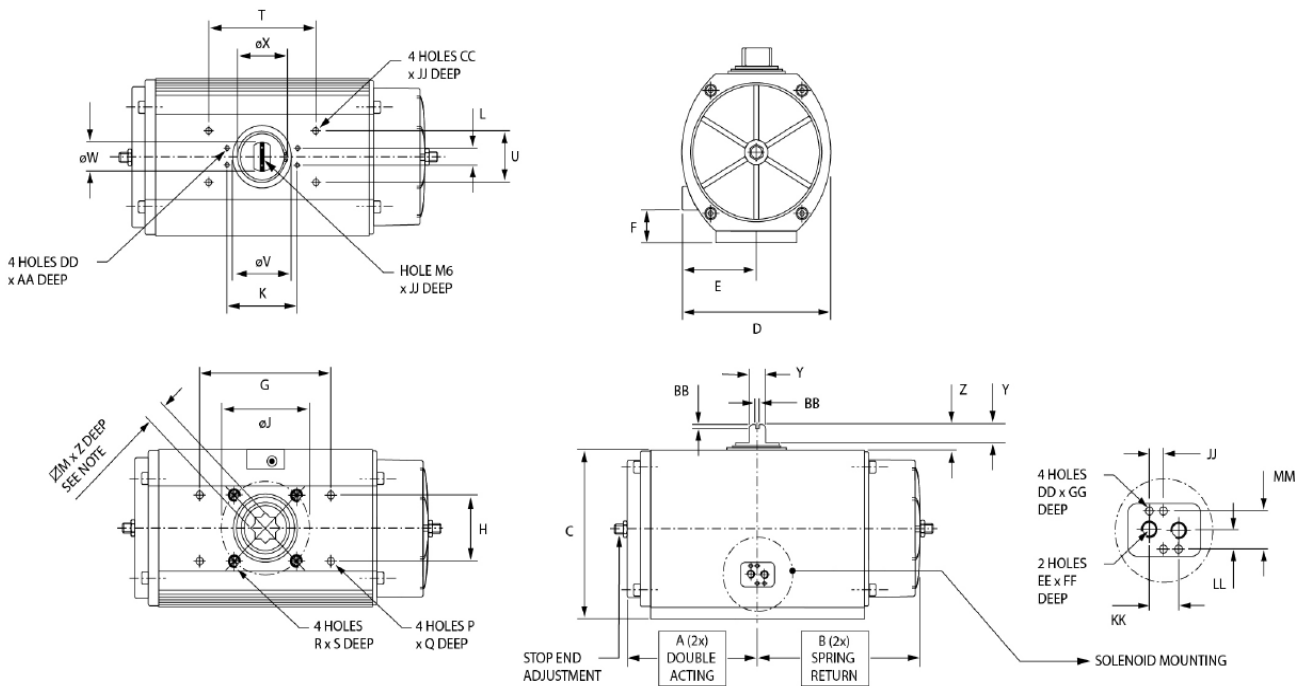


# Pneumatic Actuator Type 1, Metric Size 250

- Double acting (DA) and Spring Return (SR)
- Single end stop adjustment, open position (DA and SR)
- Option: Single end stop adjustment, closed position (Only DA)



## DIMENSIONS, METRIC (mm)

Actuator size	ISO	A	B	C	D	E	F	G	H	ØJ	ØK	L	M	P	Q	R	S	T
WM250	F16	248	338	300	280	140	56	244	117	165	130	30	46	M12	22	M20	32	200

Actuator size	ISO	U	ØV	ØW	X	Y	Z	AA	BB	CC	DD	EE	FF	GG	JJ	KK	LL	MM
WM250	F16	90	120	60	111	36	50	6	4	M8	M5	G1/4"	12	8	12	24	16	32

## TORQUE

Actuator size	Air Supply	DA Torque	SR Torque (Nm)				
			Air - Start	Air - End	Spring - Start	Spring - End	Spring Qty
WM250	6	2648	1436	776	1872	1212	12