

Limit Switch Inductive sensor Type IFM IN5285

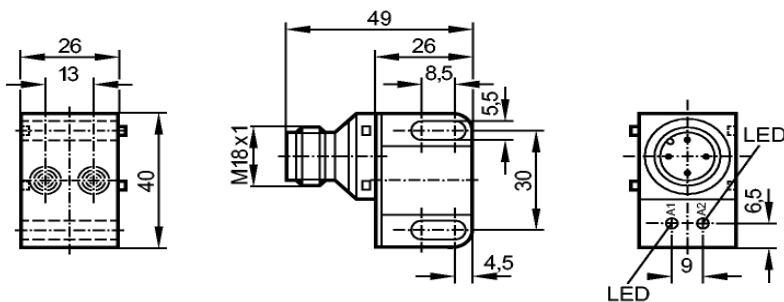
- IND3004DBPKG/BS
- Inductive sensor
- Connector
- Sensing range 4 mm
- non-flush mountable



TECHNICAL DATA

Electrical design	DC PNP
Output	2 x normally open
Operating voltage (V)	10...36 DC
Current rating (mA)	250
Short-circuit protection	Pulsed
Reverse polarity protection	Yes
Overload protection	Yes
Voltage drop (V)	< 2.5
Current consumption (mA)	< 15 (24 V)
Real sensing range (mm)	4 ± 10 %
Operating distance (mm)	0...3.25
Switch-point drift (% of Sr)	-10...10
Hysteresis (% of Sr)	1...15
Switching frequency (Hz)	1300
Correction factors	mild steel = 1 / stainless steel approx. 0.7 / brass approx. 0.4 / Al approx. 0.3 / Cu approx. 0.2
Ambient temperature (°C)	-20...80
Protection	IP 67, II
EMC	EN 60947-5-2 EN 55011: class B
Housing materials	PBT; PC (polycarbonate)
Function display Switching status LED	2 x yellow
Connection	M18 connector
Weight (kg)	0.053

DIMENSION



WIRING

