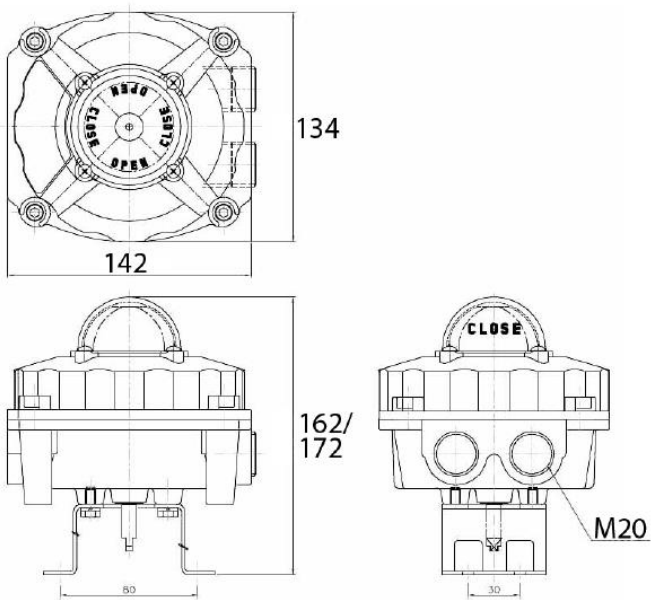


Limit Switch box Type ITS520, Inductive
 Explosion proof, Stainless Steel



DIMENSIONS (mm)



SPECIFICATIONS

| | |
|---------------------|--|
| Enclosure | Explosion proof Ex d IIC T6, IP67, O-ring sealed |
| Material | Stainless Steel |
| Ambient temperature | -20°C~+80°C |
| Switch cams | Adjustable, preset for 90° |
| Cable entries | 2xM20x1.5 |
| Terminal block | 8 pos of terminal strips (6 for switches, 2 for solenoid valve power) |
| Position indicator | Dome type 0°~90° |
| Mounting bracket | Stainless steel acc. to VDI/VDE3845, NAMUR |
| Proximity sensors | 2 pcs type V3, IFM NS 5002, 5-25V DC Namur |