

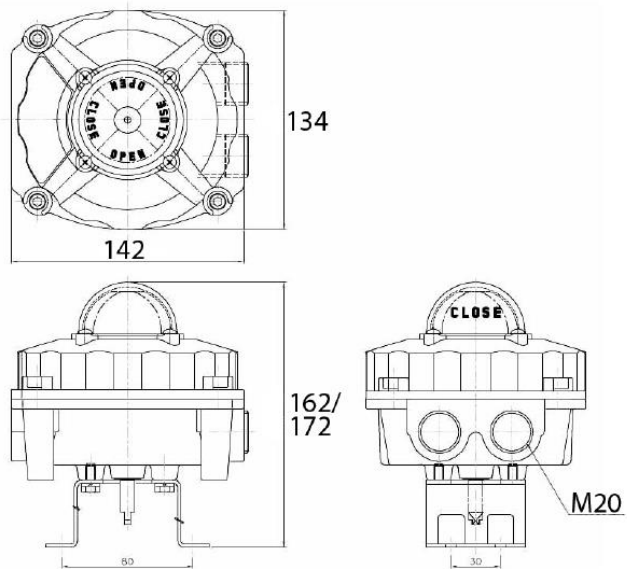
Limit Switch box Type ITS500, Mechanical  
 Explosion proof, Stainless Steel



**SPECIFICATIONS**

Enclosure	Explosion proof Ex d IIC T6, IP67, O-ring sealed
Material	Stainless Steel
Ambient temperature	-20°C~+80°C
Switch cams	Adjustable, preset for 90°
Cable entries	2xM20x1.5
Terminal block	8 pos of terminal strips (6 for switches, 2 for solenoid valve power)
Position indicator	Dome type 0°~90°
Mounting bracket	Stainless steel acc. to VDI/VDE3845, NAMUR
Mechanical switches	2 pcs. Max 250V AC 16A, 125 V DC 0.6A

**DIMENSIONS (mm)**



**WIRING**

