

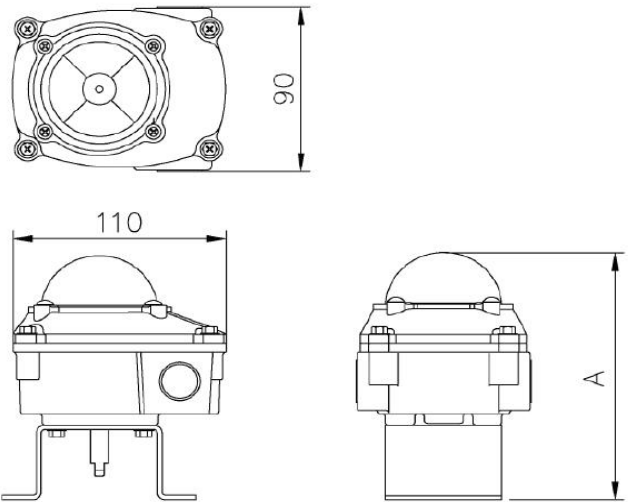
Limit Switch box, Type ITS100, Mechanical - CNI



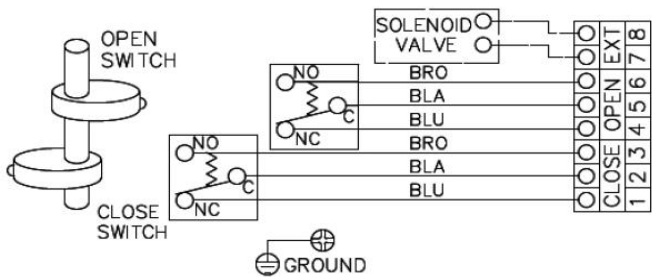
SPECIFICATIONS

Enclosure	Weatherproof IP67, O-ring sealed
Material	Aluminum, Chemically Nickel Impregnated (CNI)
Ambient temperature	-20°C~+80°C
Switch cams	Adjustable, preset for 90°
Cable entries	2xM20x1.5
Terminal block	8 pos of terminal strips (6 for switches, 2 for solenoid valve power)
Position indicator	Dome type 0°~90°
Mounting bracket	Stainless steel acc. to VDI/VDE3845, NAMUR
Mechanical switches	2 pcs. Max 250V AC 16A, 125 V DC 0.6A

DIMENSIONS (mm)



WIRING



A	Type 1	Type 2
136	2-35	-
146	-	35-150
166	250-400	-