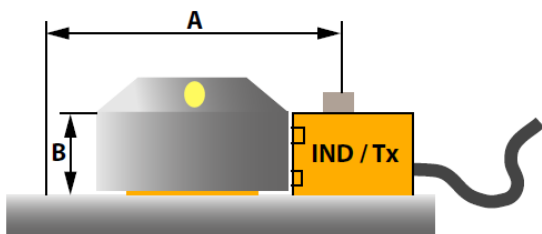


# Target Puck Mounting Kit

- For mechanical interfaces to ISO 5211 (DIN 3337) on pneumatic actuators or manually-operated valves

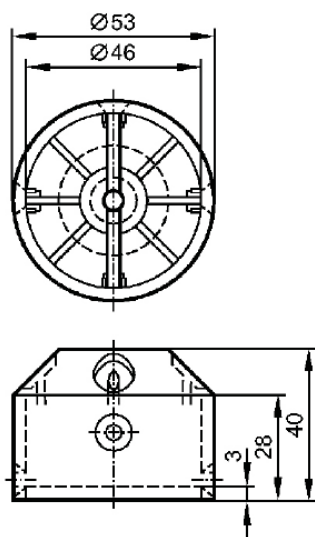


The target pucks for dual sensors are directly mounted onto the shaft of the quarter-turn actuator. The shaft must conform to VDI/VDE 3845. A round puck with two targets positioned 90° apart in different heights damps the IND dual sensor or the Tx feedback unit.

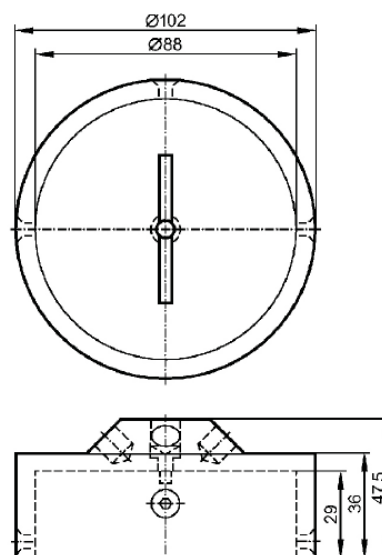
Actuator size	Type 1	Type 2
2-20	13293	-
35	13294*	13295
55-150	-	13295

\* Shaft extension needed, see page 2

## 13293



## 13295



## PUCK DIMENSIONS (mm)

Part no.	Ø	Shaft height	Hole spacing	Weight	Housing material
13293	53	20	80	0.045	Target puck: PA 6 black; screws: V2A (1.4302)
13295	102	30	130	0.099	Target puck: PA 6 black; screws: V2A (1.4302)