

Feedback unit F5 for Positioners Type P5 and EP5, Endstop indication

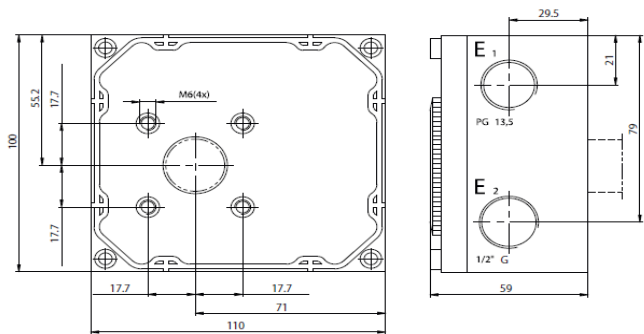
- For mounting on PMV P5/EP5 alt. direct mounting on actuators.
- Mounts on P5/EP5 without additional mounting bracket.
- Bright visible, flat or dome position indicator.
- Easy to set stepless cams – 100% resolution.
- Switches, mechanical or proximity, P+F Namur sensors.
- Potentiometer or 4–20 mA position transmitter.
- Sturdy, reliable and simple design.
- Explosion proof or intrinsically safe enclosure.
- ATEX, CSA and FM approvals



TECHNICAL DATA

Conduit entries	2x1/2 NPT or 2xPG 13.5 (M20)
Housing material	Dire cast aluminum
Surface treatment	ED painting
Weight	0,7 kg (lbs 1,5) Ex proof = 2,1 kg (lbs 4,6)
Mounting	Direct on P5/EP5 and VDI/VDE 3845
Fasteners	Stainless A2/A4
Terminals	2,5 mm ² (AWG 14) Screw terminals
Enclosure	IP66, NEMA 4
Temp (Not NAMUR sensors)	-40°C to 85°C (-40°F to 185°F)

DIMENSIONS (mm)



Switches, mechanical

Type	Mechanical SPDT V3
Rating	6/2,5A 250 V AC

NAMUR sensors

Type	P+F NJ2 V3N
Load voltage	≤ 1mA ≥ 3 mA
Voltage range	5-25 V DC
Hysteresis	0,2%
Temp	-25°C to 85°C (-4°F to 185°F)

Proximity sensors

Contact rating	2 W or 2 VA @ 30 V DC/V AC, 0.1 A
Maximum operating time	0.5 milliseconds
Breakdown voltage	200 V DC
Contact resistance	0.2 Ohms
Switch type	SPDT hermetically sealed in one unit
Mechanical and electrical life	> 10 million operations

