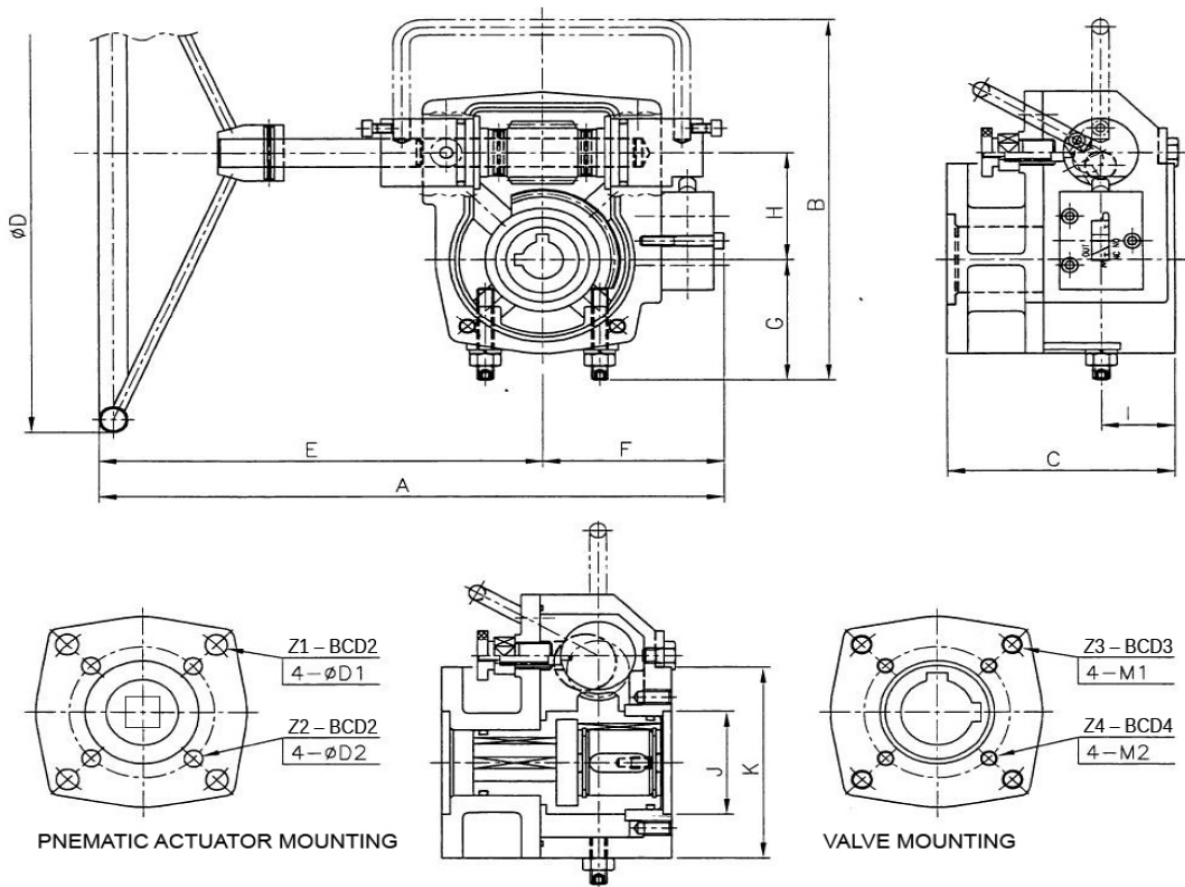


Manual Override Type ITG 050-080



SPECIFICATIONS

Type	ITG 050	ITG 060	ITG 080
Output Torque (Nm)	500	1000	2000
Reduction Ratio	40 : 1	45 : 1	48 : 1
Mechanical Advantage	12	13.5	14.4
Number of Handwheel Turns	10	11.3	12
Handwheel Diameter	250	350	450
Weight (kg)	5.5	7.5	13.5
Material	Aluminum body, epoxy coated		

DIMENSIONS

DIM. MODEL	A	B	C	ØD	E	F	G	H	ØJ	ØK	DRIVE BUSH		BORE SIZE			VALVE MOUNTING			PNEUMATIC ACTUATOR MOUNTING		
											ØL	M	ØO	P	Q	Z1/2	BCD1/2	4-Ø D1/2	Z3/4	BCD3/4	4-M1/2
ITG 050	300	193	115	300	213	87	65	57	55	102	35	32	20	6	23.5	F07 F10	Ø70 Ø102	4-Ø9 4-Ø11	F07 F10	Ø70 Ø102	4-M8 4-M10
ITG 060	370	229	135	450	272	98	75	71	85	125	47	42	35	10	39	F10 F12	Ø102 Ø125	4-Ø11 4-Ø13	F10 F12	Ø102 Ø125	4-M10 4-M12
ITG 080	454	267	160	550	342	112	90	88	100	150	60	48	45	12	49	F12 (F14)	Ø125 (Ø140)	4-Ø13 (4-Ø17)	F12 (F14)	Ø125 (Ø140)	4-M12 (4-M16)