

Mounting Kits for Limit Switch boxes Type ITS, NAMUR

- For use between Actuators and Limit Switch boxes.
- VDI/VDE 3845, NAMUR.
- Material Stainless steel AISI 304.
- The Kit includes bolts and washers.

A



B

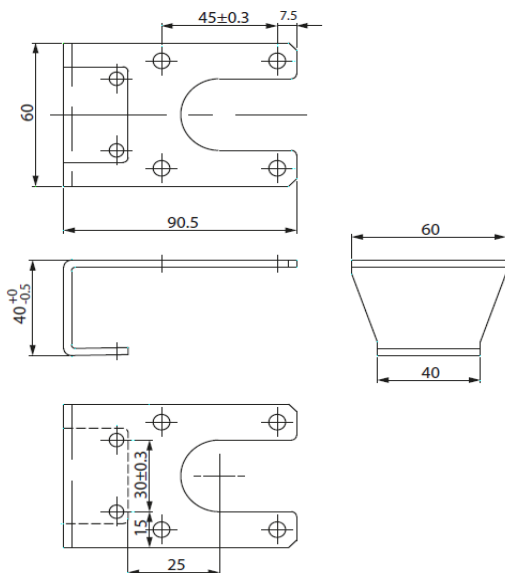


DIMENSIONS

Actuator Type and Size		Part no	Figure
Type 1	Type 2		
2-35	-	13446	A
-	35-150	13447	B
250-400	-	13448	B*

* Including distance pieces x 4

A



B

