

**THERMOSTATIC STEAM TRAPS AND AIR ELIMINATORS
 TH13A**

DESCRIPTION

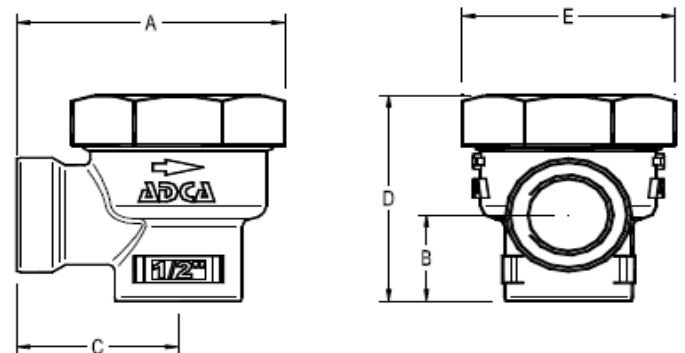
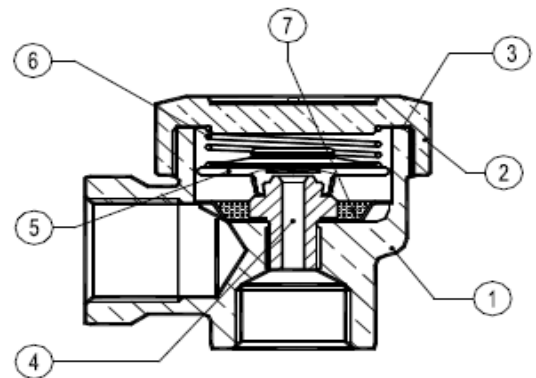
The TH 13A series thermostatic steam traps and air eliminators are specifically designed for use on process equipment such as kettle cookers, sterilizers, food, chemical and laundry equipment. The small size makes it ideal for use with a wide variety of this equipment and specifically as air eliminator. Connections are female screwed.

MAIN FEATURES

- Modulating discharge.
- Discharges condensate close to steam temperature.
- Thermostats for different sub cooling (5°K to 30°K).
- Excellent air discharge.
- Simple and compact design.
- Built-in strainer.

USE: Saturated steam.
 AVAILABLE
 MODELS: TH13A
 SIZES: DN 1/2"
 CONNECTIONS: Female screwed ISO 7/1 Rp (BS21)
 INSTALLATION: Vertical installation, angle connection.

PMA – Max. allowable pressure 16 bar
 TMA – Max. allowable temperature 260 °C
 PMO – Max. operating pressure 13 bar
 TMO – Max. operating temperature 200 °C
 How to order: i.e. TH13A DN 1/2" BSP



| MATERIALS | | |
|-----------|-------------------|---------------------------|
| POS.N r. | DESIGNATION | MATERIAL |
| 1 | Body | Brass EN12165 / CuZn39Pb2 |
| 2 | Cover | Brass EN12165 / CuZn39Pb2 |
| 3 | * Gasket | St.St./Graphite |
| 4 | * Valve seat | AISI304 / 1.4301 |
| 5 | * Thermostat | Stainless steel |
| 6 | * Spring | AISI302 / 1.4300 |
| 7 | * Strainer screen | AISI304 / 1.4301 |

* Available spare parts

| DIMENSIONS (mm)-Screwed | | | | | | |
|-------------------------|----|------|----|----|----|----------|
| SIZE DN | A | B | C | D | E | WGT. Kgs |
| 1/2" | 63 | 22,5 | 38 | 54 | 50 | 0,5 |

| FLOW RATE CAPACITY IN Kgs/h | | | | | | | | | | | | | |
|-----------------------------|------|-----------------------------|-----|-----|----|-----|-----|-----|-----|-----|-----|-----|-----|
| MODEL | SIZE | DIFFERENTIAL PRESSURE (bar) | | | | | | | | | | | |
| | | 0,2 | 0,3 | 0,5 | 1 | 1,5 | 2 | 3 | 4 | 6 | 8 | 10 | 13 |
| TH13A | 1/2" | 45 | 55 | 70 | 95 | 125 | 135 | 180 | 200 | 270 | 315 | 330 | 360 |

Capacities shown refer to condensate at 10°C below saturated steam temperature (standard type-S thermostat) . Thermostats for 5° C type-H and 30° type-L, also available. Capacities for cold condensate discharge at 20°C are two to three times greater.