

BIMETALLIC STEAM TRAPS AND AIR ELIMINATORS
BS 32
 (DN 1/2" – 3/4"; DN 15 – 20)

DESCRIPTION

BS32 series bimetallic steam traps and air eliminators are simple and robust traps, recommended for steam process applications where condensate sensible heat can be recovered, steam tracing lines, drip points, storage tank coils, steam air venting, etc. The use of condensate sensible heat reduces the steam consumption.
 Connections are female screwed or flanged.

MAIN FEATURES

- Modulating discharge.
- Discharges condensate below steam temperature.
- Excellent air discharge.
- Operates on superheated steam.
- Unaffected by water hammer and vibrations.
- Built-in strainer.
- Uniadca compatible

OPTIONS: Complete stainless steel version
USE: Saturated and superheated steam.

AVAILABLE

MODELS: BS32
SIZES: DN 1/2" to 3/4"; DN15 to DN20.
CONNECTIONS: Female screwed ISO 7/1 Rp (BS21)
 Flanged EN 1092-1 PN40
 Flanged ANSI B16.5 150# and 300#
INSTALLATION: Horizontal installation recommended, can be installed in any position.
 See IMI installation and maintenance instructions.



BODY LIMITING CONDITIONS		
FLANGED PN40 / ANSI 300 *	FLANGED ANSI 150 **	RELATED TEMP.
ALLOW. PRES.	ALLOW. PRES.	
40 bar	19,3 bar	50 °C
35 bar	15,8 bar	150 °C
30,4 bar	12,1 bar	250 °C
27,6 bar	10,2 bar	300 °C

PMO - Max. operating pressure 32 bar

TMO - Max. operating temperature 300 °C

* According to EN1092-1:2007 ; ** Acc. to EN1759-1:2004

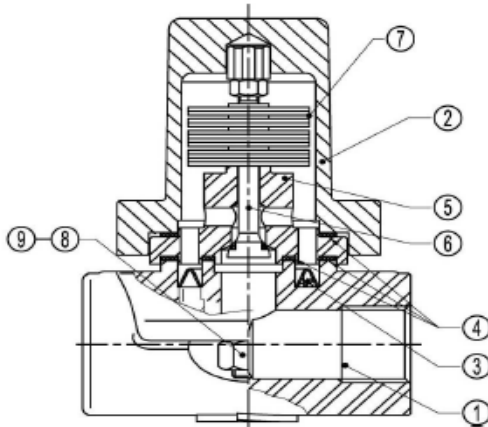
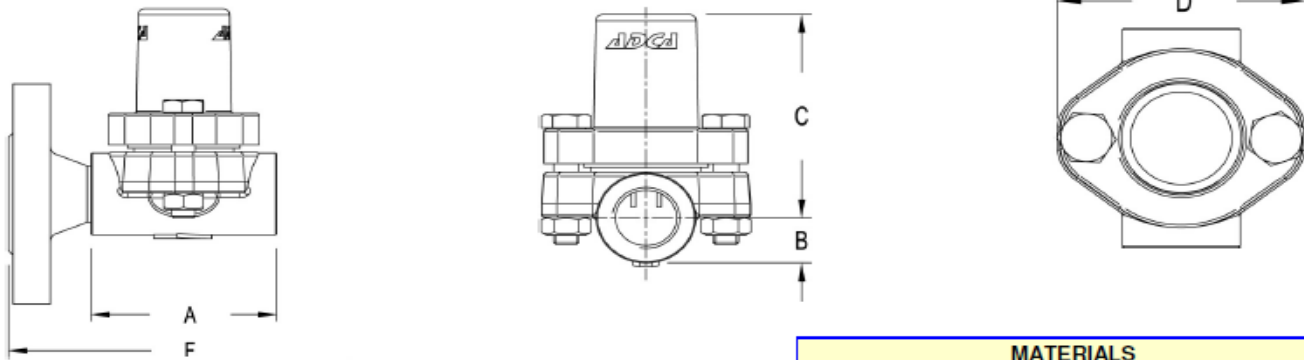
Body limiting conditions PN40 or below, depending on the type of connection adopted. Rating PN40 for thread, SW and BW.

FLOW RATE CAPACITY IN Kgs/h															
MODEL	SIZE	DN	DIFFERENTIAL PRESSURE (bar)												
			0,5	1	2	4	6	8	10	12	14	16	18	20	22
BS 32	15 - 20	A	120	180	210	300	340	400	420	450	480	520	560	580	600
BS 32	15 - 20	B	400	550	660	910	1050	1200	1260	1350	1440	1560	1680	1740	1800

A = Condensate discharge at 10°C below saturation temperature. B = Cold water capacity at about 20°C.

DIMENSIONS (mm)											
Screwed and SW*						EN PN16/40		ANSI 150		ANSI 300	
SIZE DN	A	B	C	D	WGT. Kgs	E	WGT. Kgs	E	WGT. Kgs	E	WGT. Kgs
1/2"-15	80	19	90	80	1,6	150	3,2	150	2,7	150	3,5
3/4"-20	80	19	90	80	1,6	150	3,9	150	3,1	160	4,7

* BW (butt weld) on request.



MATERIALS		
POS. Nr.	DESIGNATION	MATERIAL
1	Body	P250GH / 1.0460
2	Cover	CF8 / 1.4308
3	* Strainer screen	AISI304 / 1.4301
4	* Gasket	St.St./Graphite
5	* Valve seat	Stainless steel
6	* Valve plug	Hardened st. Steel
7	Discs	Bimetal
7	* Gasket	Stainless st./Graphite
8	Bolts	A2-70
9	Nuts	A2

* Available spare parts

Typical installation

A cooling leg should be provided before the trap. Typically one meter unlegged pipe is enough but, in case of critical applications or high back pressure (more than 40%), two or three meters can be necessary.

