

BIMETALLIC STEAM TRAPS AND AIR ELIMINATORS
BM - HC (High capacity)
(DN11/2" – DN 4"; DN40 – DN100)

DESCRIPTION

BM-HC series bimetallic steam traps and air eliminators are simple and robust traps, recommended for large process applications. They can be supplied with several bimetallic regulators achieving the requested flow rate. Connections are flanged as standard (others on request).

MAIN FEATURES

Modulating discharge.
 Discharges condensate below steam temperature.
 Excellent air discharge.
 Operates on superheated steam.
 Unaffected by water-hammer and vibrations.

OPTIONS: Complete stainless steel construction
 Different capacities and designs
USE: Saturated and superheated steam.

AVAILABLE MODELS: BM24/...HC; BM32/...HC; BM45/...HC
 (... = number of bimetallic regulators)

SIZES: DN11/2" to 4" ; DN40 to DN100

CONNECTIONS: Flanged EN 1092-1 or ANSI
 On request:
 SW - Socket weld to ANSI B 16.11
 BW - Butt weld to ANSI B16.25

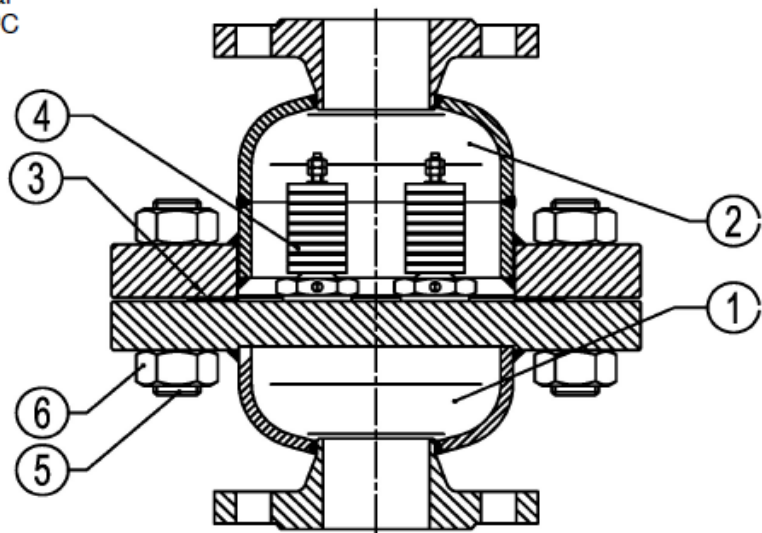
INSTALLATION: Vertical installation

DIMENSIONS: Tailor made

SIZING: Consult factory including all the design details .



PS – Operating pressure Up to 63 bar
 TS – Operating temperature Up to 400 °C



| MATERIALS | | |
|-----------|-------------|--------------------------|
| POS. Nr. | DESIGNATION | MATERIAL |
| 1 | Body | P250GH ; P265GH |
| 2 | Cover | P235GH ; P250GH ; P265GH |
| 3 | * Gasket | St.St./Graphite |
| 4 | * Regulator | Bimetal |
| 5 | Studs | A2 - 70 |
| 6 | Nuts | A2 - 70 |

* Available spare parts