

**BIMETALLIC STEAM TRAPS AND AIR ELIMINATORS
 BM 80
 (DN1/2" – DN 1"; DN15 – DN25)**

DESCRIPTION

BM80 series bimetallic steam traps and air eliminators are simple and robust traps, recommended for steam where condensate sensible heat can be recovered, steam tracing lines, drip points, storage tank coils, steam air venting, etc. The use of condensate sensible heat reduces the steam consumption.

Connections are female screwed, socket weld, butt weld or flanged.

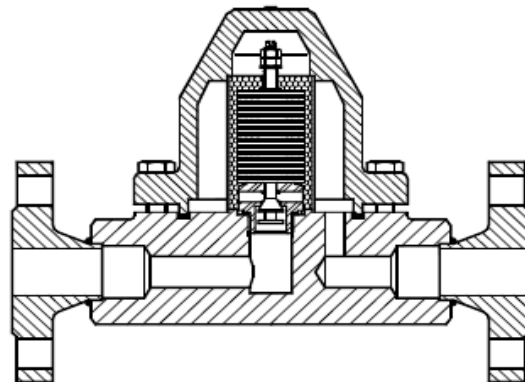
MAIN FEATURES

- Modulating discharge.
- Discharges condensate below steam temperature.
- Excellent air discharge.
- Operates on superheated steam.
- Unaffected by water-hammer and vibrations.
- Built-in strainer.

USE: Saturated and superheated steam.

AVAILABLE

- MODELS:** BM80
SIZES: DN 1/2" to 1" ; DN15 to DN25.
CONNECTIONS: Female screwed BSP or NPT
 Flanged EN 1092-1 or ANSI
 SW - Socket weld to ANSI B 16.11
 BW - Butt weld to ANSI B16.25
INSTALLATION: Horizontal installation recommended, can be installed in any position. See IMI installation and maintenance instructions.



BODY LIMITING CONDITIONS		
FLANGED PN100 *	FLANGED ANSI 600 **	RELATED TEMP.
ALLOW. PRES.	ALLOW. PRES.	
100 bar	100 bar	50 °C
100 bar	92,7 bar	250 °C
98 bar	80,4 bar	350 °C
88 bar	67,7 bar	450 °C

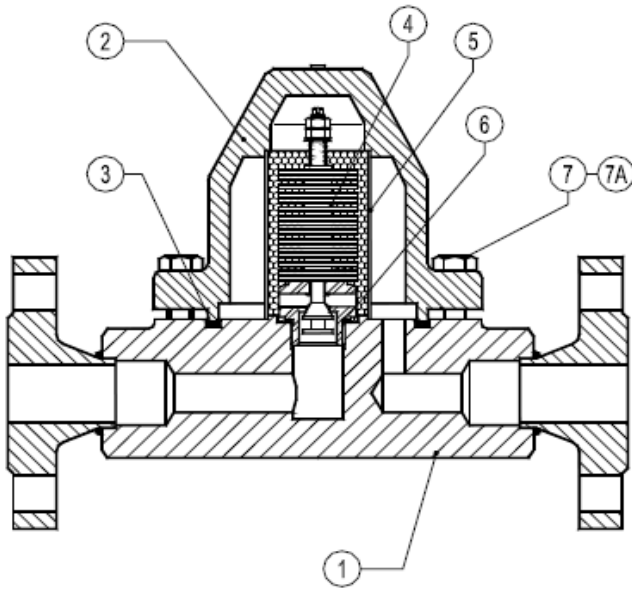
* According to EN1092-1:2007 ; ** Acc. to EN1759-1:2004

Operating pressure : 25 to 80 bar

Body limiting conditions PN100 or below, depending on the type of connection adopted. Rating PN100 for thread, SW and BW.

FLOW RATE CAPACITY IN Kgs/h											
MODEL	SIZE DN	DIFFERENTIAL PRESSURE (bar)									
		25	30	35	40	45	50	55	60	70	80
BM 80	15 - 25 A	500	550	570	580	590	600	610	620	630	650
BM 80	15 - 25 B	3000	3200	3600	4000	4200	4700	5000	5400	6000	6200

A = Condensate discharge at 10°C below saturation temperature. B = Cold water capacity at about 20°C.



MATERIALS		
POS. Nr.	DESIGNATION	MATERIAL
1	Body	ASTM A182F22 / 1.7380 (Equiv.10CrMo910)
2	Cover	ASTM A182F22 / 1.7380 (Equiv.10CrMo910)
3	* Gasket	St.St./Graphite
4	* Valve assembly	Hardened St.Steel
5	* Strainer screen	AISI304 / 1.4301
6	* Seat gasket	AISI304 / 1.4301
7	Studs	ASTM A193 Gr.B7
7A	Nuts	ASTM A194 Gr.2H

* Available spare parts

DIMENSIONS (mm)										
SIZE DN	BSP - NPT - SW - BW				EN1092-1 PN100			ANSI 600		
	A	C	D	WGT. Kgs	B	F*	WGT. Kgs	B	F*	WGT. Kgs
15-1/2"	160	120	115	6,3	52,5	230	8,8	47,5	230	8,2
20-3/4"	160	120	115	6,3	65	230	11,1	59	230	9,4
25-1"	160	120	115	6,3	70	230	11,8	62	230	10,2

* Note: different face to face dimensions on request.

